

TIB Progressive Code	Product	Date
TIB_01	<b>MOSAIC new modules and functions</b>	20/02/2015
<b>Description</b>	New fieldbus modules and for safety speed monitoring. New functions for the MSD (Mosaic Safety Designer). New firmware version of M1 module	
<b>Object</b>	Preview of the new modules and features of the software program	

## Mosaic new modules

The MOSAIC system has been enriched with 3 new fieldbus modules and 2 MV modules for safety speed monitoring.



### MBMR module

ModBus RTU expansion unit

Ordering code: 1100082

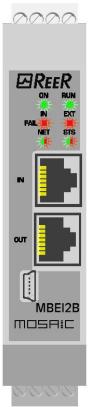
**Note:** The first models available will be with the 9-pin D type connector instead of the RJ45 connector shown in the picture.



### MBEM module

ModBus TCP/IP expansion unit

Ordering code: 1100083

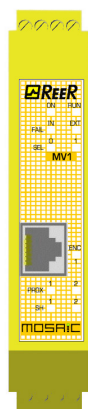


### MBEI2B module

Expansion unit for connection to the industrial Fieldbus systems for diagnostics and data communication: Ethernet IP.

With 2 connectors. Permits the connection between MOSAIC and two different nodes (PLC)

Ordering code: 1100085

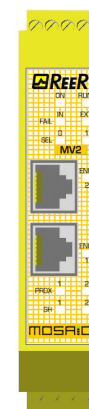


### MV1TB Module

Expansion modules for safety speed monitoring: Input for 1 TTL incremental encoder, 24 VDC powered, and 2 PNP/NPN proximity switches.

Ordering code: 1100086

This module must be used when you are using 24 VDC powered TTL encoders.



### MV2TB Module

Expansion modules for safety speed monitoring: Input for 2 TTL incremental encoder, 24 VDC powered, and 2 PNP/NPN proximity switches.

Ordering code: 1100087

This module must be used when you are using 24 VDC powered TTL encoders.

## New functions for "Mosaic Safety Designer"

The MSD software release 1.3.4 integrates a new feature: Operators Interpage that allow connection of parts of the diagram only by assigning a name to the connection identifier.

### INTERPAGE OPERATORS



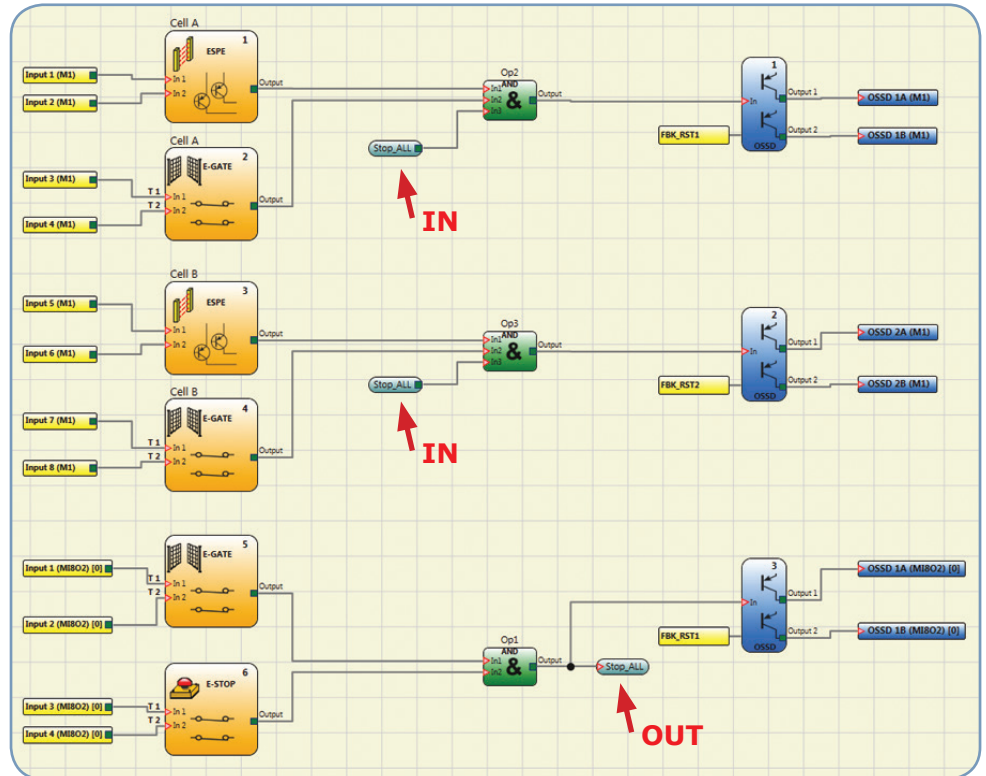
The operator INTERPAGE is used to connect parts of the diagram without trace physically tke linking. Simply assign the same link identifier operators to Interpage In and Interpage out.

For example: in the diagram were inserted 3 Interpage operators:

2 In and 1 Out.

These allow you to link the inputs and outputs of the "&" logic gates without having to draw the line.

It is clear the advantage of this new feature of the MSD: In complex projects, you can connect parts of the diagram, also very far from each other, without draw the connection.



**Nota: Note:** To download the Mosaic Safety Designer software, use the following link:

[http://www.reer.it/public2/files/msd\\_setup.zip](http://www.reer.it/public2/files/msd_setup.zip)

The software downloaded from this address is always up-to-date and refers to the latest version released.

If you want to know in advance which is the latest available version for download click the link here below:

[http://www.reer.it/public2/files/mosaic\\_last\\_ver.txt](http://www.reer.it/public2/files/mosaic_last_ver.txt)

## New firmware version of M1 module (ver. 2.0.2)

The new firmware version 2.0.2 improves the Network Operator functionality. In this function it is possible connect more E-stops to the input "Stop\_in" functional block through the AND logic operator.



### Warning:

The new network operator function is not compatible with the one present in the older firmware version of the M1.