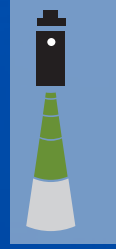




CQ50 series

7 x 30 x 50 mm cubic
capacitive sensors



7 x 30 x 50 mm cubic

features

- DC supply voltage
- No adjustable sensitivity
- Flat polycarbonate plastic housing



web contents



- Application notes
- Photos
- Catalogue / Manuals



code description







available models

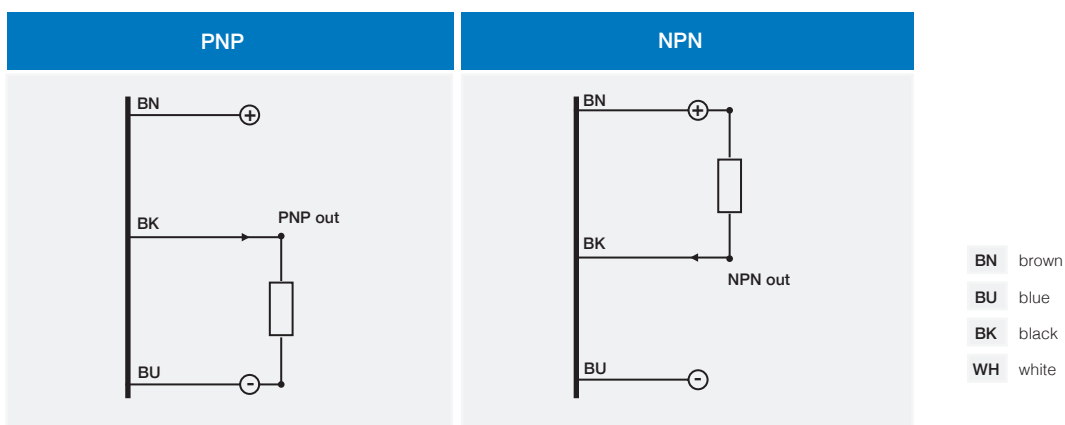
supply	distance (mm)	connection	NPN NC	NPN NO	PNP NO
5 Vcc	5	2 m cable	-	CQ50/AN-1A	-
10...30 Vcc	6		-	CQ50/AN-2A	-
	7		CQ50/CN-3A	-	CQ50/AP-3A
	10		CQ50/CN-4A	-	CQ50/AP-4A

technical specification

7 x 30 x 50 mm cubic

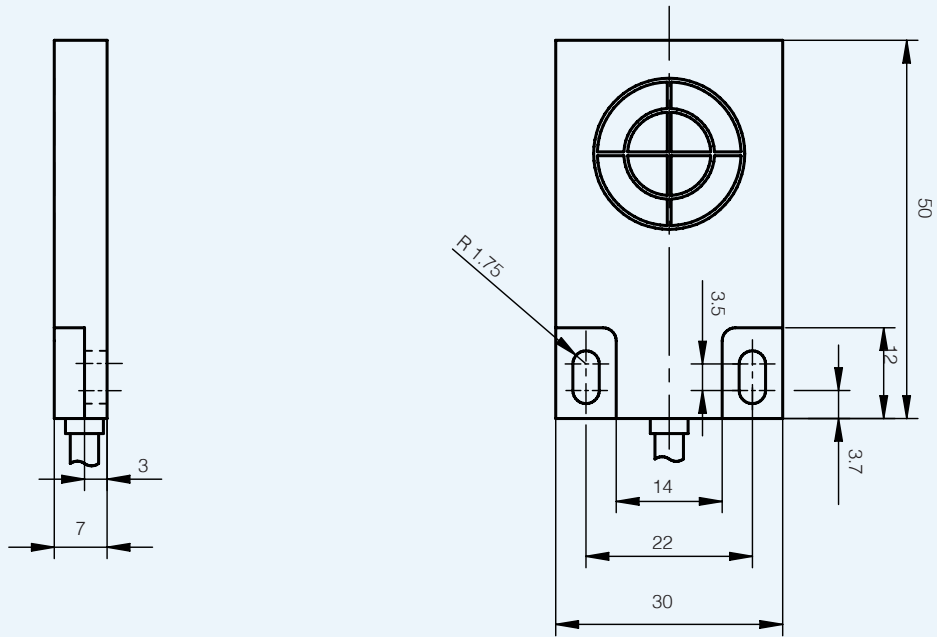
	CQ50/**-1A	CQ50/**-2A	CQ50/**-3A	CQ50/**-4A
				
nominal sensing distance Sn	5 mm	6 mm	7 mm	10 mm
hysteresis	≤ 20%			
repeatability	5%			
operating voltage	5 Vcc	10 ... 30 Vcc		
max ripple content	≤ 10 %			
no-Load supply current	≤ 10 mA			
load current	≤ 50 mA			
leakage current	≤ 100 µA			
output voltage drop Ud	1.5 V max @ IL= 50 mA			
output type	NPN or PNP - NO or NC			
switching frequency	10 Hz			
power on delay	≤ 100 ms			
power supply protections	polarity reversal, impulsive overvoltage			
output protection	autoreset short circuit, overvoltage			
sensitivity adjustment	-			
storage temperature	≤ 20%			
operating temperature range	0 ...+ 60° C (without freeze)			
temperature drift	-30 ...+ 75° C			
EMC	in conformity with the EMC Directive, according to EN 60947-5-2			
protection degree	IP67 (EN 60529) NEMA 1,3,4,6,13			
housing material	noryl			
active head material	noryl			
weight	70 g			

electrical diagrams of connections





7 x 30 x 50 mm cubic





notes

20 horizontal light blue bars for writing notes.



CQ55 series

15 x 35 x 55 mm cubic
capacitive sensors



15 x 35 x 55 mm cubic

features

- DC supply voltage
- Adjustable sensitivity
- Flat polycarbonate plastic housing



web contents



- Application notes
- Photos
- Catalogue / Manuals



code description

CQ 55 / B P - 3 E

series	CQ	Capacitive sensor (rectangular)
dimens.	55	55 x 35 x 15 mm
output state	B	NO + NC complementary output
output logic	P	PNP logic
	N	NPN logic
distance	3	Long distance 4...25 mm (shielded 16 mm - unshielded 25 mm)
connect.	A	Cable exit
	E	M12 plug exit

available models


supply	installation	distance (mm)	connection	NPN NO + NC	PNP NO + NC
10...40 Vcc	shielded / unshielded	4...25	2 m cable	CQ55/BN-3A	CQ55/BP-3A
			M12 plug	CQ55/BN-3E	CQ55/BP-3E



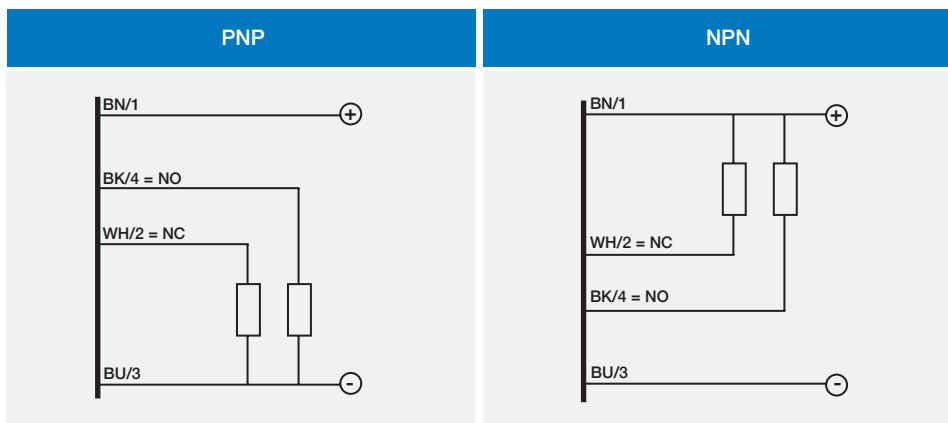
technical specification

according to IEC EN 60947-5-2

15 x 35 x 55 mm cubic

	CQ55/**-3*
	
nominal sensing distance S_n	25 mm
hysteresis	$\leq 20\%$
repeatability	5%
operating voltage	5 Vdc
max ripple content	$\leq 10\%$
no-Load supply current	$\leq 10\text{ mA}$
load current	$\leq 200\text{ mA}$
leakage current	$\leq 10\text{ }\mu\text{A}$
output voltage drop U_d	2..5 V max @ $I_L = 200\text{ mA}$
output type	NPN or PNP - NO + NC
switching frequency	50 Hz
power on delay	$\leq 100\text{ ms}$
power supply protections	polarity reversal, impulsive overvoltage
output protection	autoreset short circuit, overvoltage
sensitivity adjustment	●
storage temperature	-40 ... +85° C
operating temperature range	-25 ... +80° C (without freeze)
temperature drift	$\leq 20\%$
EMC	in conformity with the EMC Directive, according to EN 60947-5-2
protection degree	IP67 (EN 60529) NEMA 1,3,4,6,13
LEDs	yellow (output status LOn/DOn)
housing material	PC
active head material	PC
weight	65 g connector / 150 g cable

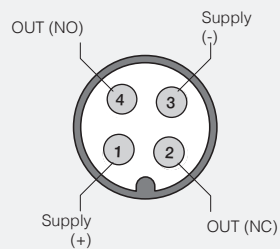
electrical diagrams of connections





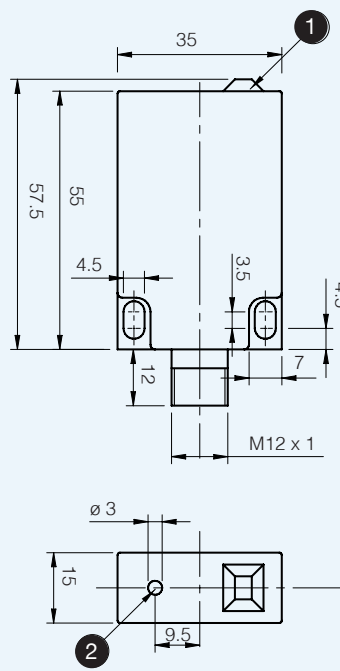
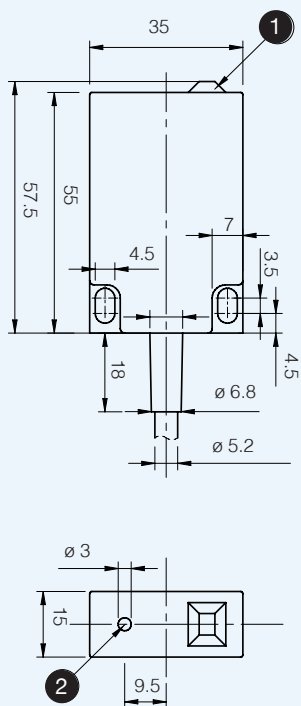
15 x 35 x 55 mm cubic

M12 CQ55/**-E



dimensions (mm)

CQ55/**-3A CQ55/**-3E



- 1 LED
- 2 TRIMMER