



EOS  
ATEX

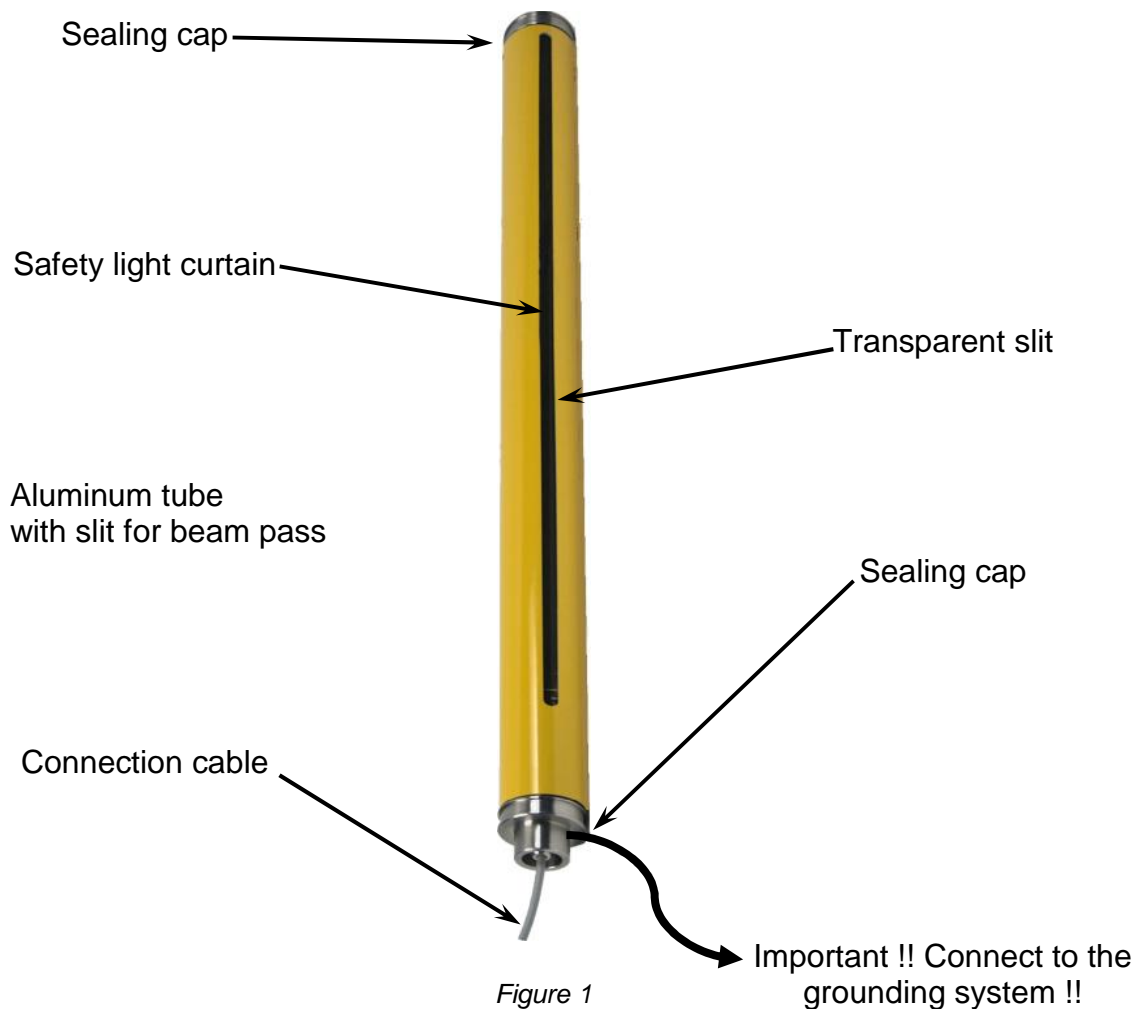
## CYLINDRICAL PROTECTIVE HOUSING FOR USE IN EXPLOSIVE ENVIRONMENTS

- *Ideal for external use*
- *Resistant to highly humid environments*

### INTRODUCTION

- EOS ATEX is a ***cylindrical protective housing for safety light curtain*** designed to secure operators working on dangerous machines in an industrial environment including the protection of access to the stations in explosive environments.
- Thanks to its features, EOS ATEX is also the ideal solution for all uses in explosive environments.
- The cylindrical housing EOS ATEX can fit the following safety light curtain ReeR families: EOS2/EOS4.

### PRODUCT STRUCTURE



**GENERAL CHARACTERISTICS**

- Integrated anti-condensation system through the GORE™ vent.
- Degree of protection IP65.
- Operating temperature from -10° to 55°C.
- CE certified.

**PROTECTIVE HOUSING TECHNICAL CHARACTERISTICS**

<b>Fastenings</b>	Via 2 circular brackets	
<b>Operating temperature</b> °C	-10 ÷ 55	
<b>Material</b>	<b>Transparent tube</b>	PC (Polycarbonate tube) Ø 50mm
	<b>Protective tube</b>	Aluminium yellow painted RAL1003
	<b>Sealing caps</b>	Stainless steel (AISI 316L) - Ø 56mm / Silicone O-RING
	<b>Fastening brackets</b>	Stainless steel (AISI 316L)
<b>Degree of protection</b>	IP69K	
<b>ATEX degree of protection (94/9/CE)</b>	<i>Gasses:</i>	II 3G Ex nA IIC T6 Gc
	<i>Dust:</i>	II 3D Ex tc IIIC T 60°C Dc

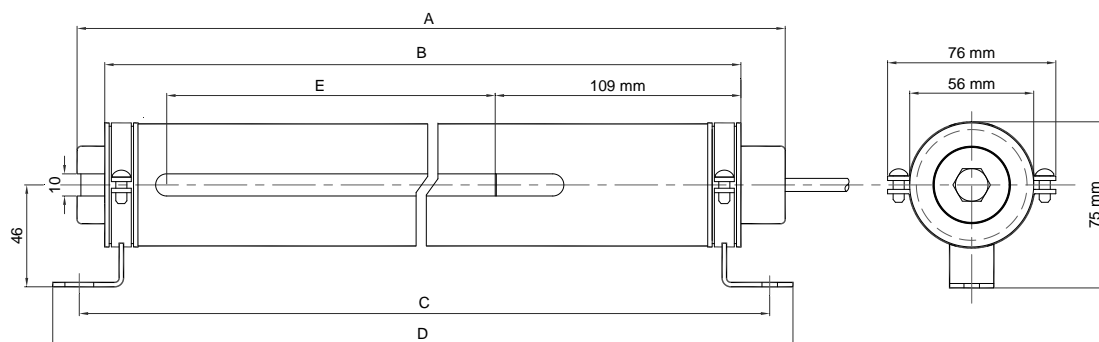
**LIGHT CURTAIN ELECTRICAL CONNECTIONS**

EMITTER			
PIN	COLOR	NAME	DESCRIPTION
1	Brown	24VDC	+24VDC power supply
3	Blue	0VDC	0VDC power supply
5	Grey	PE	Ground connection
2	White	RANGE0 *	Barrier configuration
4	Black	RANGE1 *	

RECEIVER			
PIN	COLOR	NAME	DESCRIPTION
1	Brown	24VDC	+24VDC power supply
3	Blue	0VDC	0VDC power supply
5	Red	PE	Ground connection
2	White	OSSD1	Safety static outputs
4	Green	OSSD2	

The screw (on the connector side of the cover) must be connected to a metal part of the system with a permanent ground connection. Failure to comply with this precaution would result in the product not meeting ATEX specifications.

**DIMENSIONS (mm)**



EOS - ATEX

Mod.	A	B	C	D	E
600 / 2B	772 mm	740 mm	765 mm	788 mm	600 mm
750	922 mm	890 mm	915 mm	938 mm	750 mm
900 / 3B	1072 mm	1040 mm	1065 mm	1088 mm	900 mm
4B	1162 mm	1130 mm	1155 mm	1178 mm	990 mm
1200	1372 mm	1340 mm	1365 mm	1388 mm	1200 mm
1500	1672 mm	1640 mm	1665 mm	1688 mm	1500 mm

**Cable length TX (m): 10**  
**Cable length RX (m): 10**  
**Ø max (mm) = 5,8**

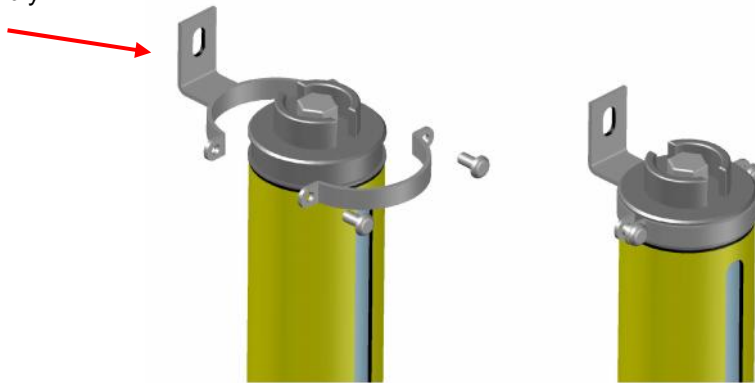
Figure 2

“Safety instructions” labels are supplied with the device. Select the label in the language used in the work environment and attach it to the light curtain in a position where it is clearly visible.

REER assumes no responsibility for the consequences of incorrect installation or installation in environments for which the device is not intended.

## FASTENING BRACKETS

- The figure illustrates the assembly of the brackets for the top and bottom caps of the housing.



*Figure 3*

For all other information concerning the installation, use and maintenance of the safety light curtain, please consult the attached technical data-sheet and the product guide CD-ROM included in the packaging.