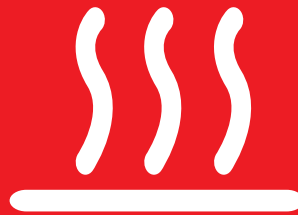




NORSTAT INC.



Ventilation



**THERMAL MANAGEMENT SOLUTIONS
FOR ELECTRICAL ENCLOSURES**



T-FAN

Filter Fans

High performance, fast mounting and easy maintenance



Modern design

A positive visual impact is given by the up-to-date design of the grills and the minimal external projection. All molded parts are made of highly resistant and self-extinguishing ABS, UL94 VO grade. The standard color is RAL 7035.



Easy maintenance

Easy maintenance thanks to openable front grill. Replacement of soiled filter mat takes only few seconds and it doesn't require tools.



Wide range of air flow ratings

The range of air flow ratings goes from 26 to 700m³/h



Optimal enclosure protection

The special configuration of the grill, the foam seal gasket and the filter mat ensure an IP54 protection degree towards the enclosure.



Quick electrical connection

ATV are fitted with spring terminals for a faster and safer wiring. Default terminals position is above the fan but it can easily be changed at the bottom of the fan according to wiring needs without tools thanks to Fan Quick Lock system.



Fan Quick Lock (FQL)

Default air flow direction is from the outside towards the inside of the enclosure. If needed the user can easily reverse the direction thanks to Fan Quick Lock system, without tools.



Fast installation

Installation is fast thanks to the simple square cutout on the enclosure and to the snap-in fixing system. No screws are needed.



T-FAN

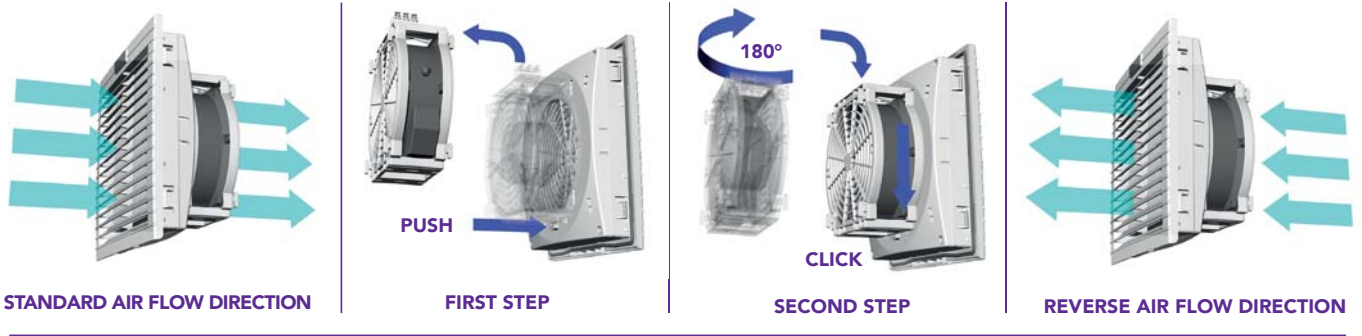
Specifications, values and drawings are subject to change without notice.



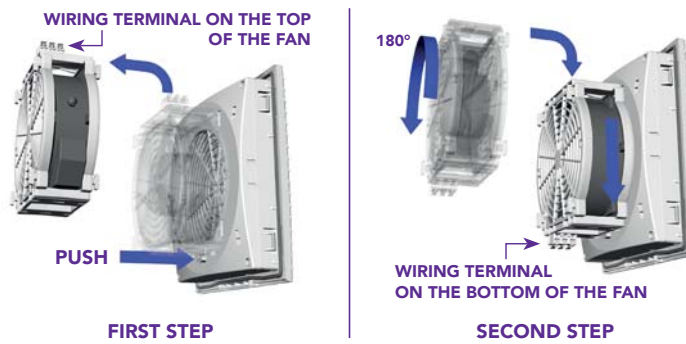
VENTILATION

FAN QUICK LOCK (FQL)

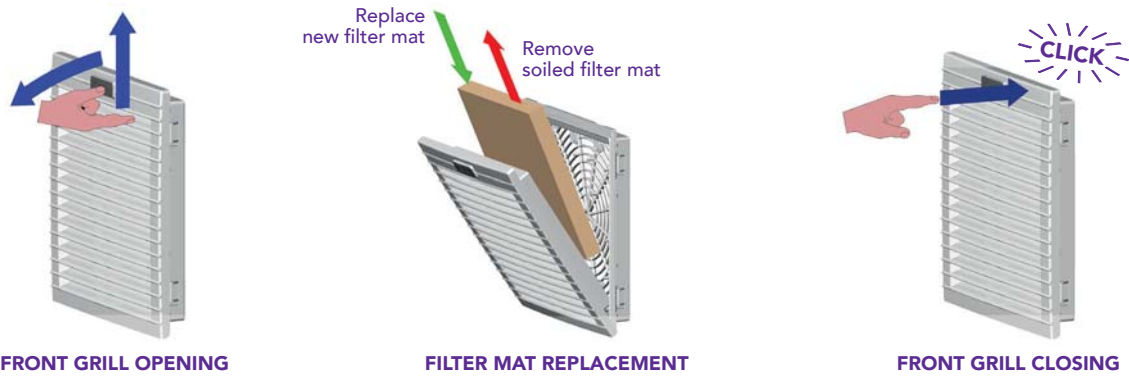
Reverse Air Flow



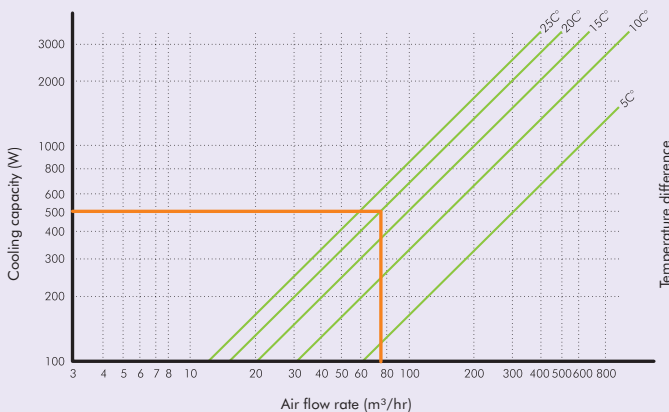
Terminal top/bottom inversion



EASY MAINTENANCE Fast filter mat replacement (FMR)



COOLING PERFORMANCE DIAGRAM



FILTER FAN SELECTION WITH WATT-A-CALCULATOR



Watt-a-Calculator is a selection software that matches the best model to the specific customer application. Watt-a-Calculator is available on Alfaelectric web site. Please visit it and follow the easy instructions to find the solutions for you.
www.alfaelectric.com/wattcalc



ATV 11



| Features | Unit | ATV1000 | ATV1100 | ATV1101 | ATV1112 | ATV1124 |
|--------------------------------|-------------------|---------------------------|--|-------------|----------------------------|---------|
| Air flow rate (free blow) | m ³ /h | - | 26 (30) | | 26 | |
| Air flow rate with exit filter | m ³ /h | - | 15 (18) | | 15 | |
| Power supply | V/Hz | - | 230 / 50-60 | 115 / 50-60 | 12DC | 24DC |
| Dimensions HxWxD | mm | 114x114x27 | 114x114x73 | | 114x114x60 | |
| Power consumption | W | - | 13 (12) | | 3 | 4 |
| Current consumption | A | - | 0.10 (0.08) | 0.14 (0.12) | 0.25 | 0.16 |
| Overcurrent protection | - | - | impedance | | | |
| Electrical connection | - | - | 3-poles spring terminals * | | 2-poles spring terminals * | |
| Duty cycle | - | - | 100% | | | |
| Operating temperature | °C (°F) | -10 / +70 (+14/+158) | | | | |
| Protection degree / Class | - | IP54 | IP54 / Class I | | | |
| Noise level | dB(A) | - | 30 (35) | | 35 | |
| Flow direction | - | - | reversible, default factory setting outside-in | | | |
| Bearing | - | - | ball | | | |
| Filter mat EN779 | - | G2 | G2 | | | |
| Service life (at 40°C) | hr | - | 50 000 | | | |
| Material | - | ABS UL94V-0 color RAL7035 | | | | |
| Wall thickness | mm | 1.2 - 2.4 | | | | |
| Gasket | - | foam seal gasket | | | | |
| Weight (with packaging) | kg | 0.09(0.11) | 0.41(0.46) | | 0.20(0.25) | |
| Package dimensions H x W x D | mm | 125x125x35 | 125x125x80 | | | |
| Mounting | - | fast clip-on | | | | |
| Conformity/Certifications | - | CE | | | | |

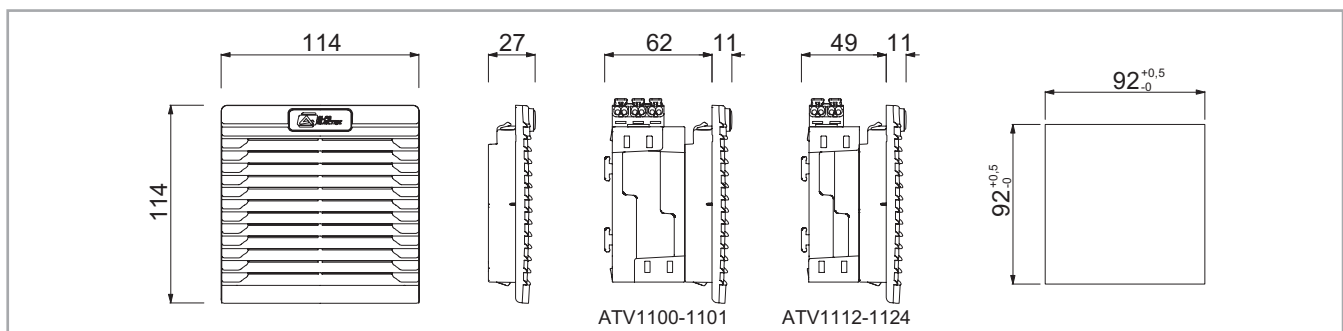
* 0.5-2.5mm²

Versions

| | |
|-----------------|---|
| UL-code ending | U |
| EMC-code ending | M |

Accessories

| | |
|-------------------------------|---------|
| Filter mat, standard type | ATVF1 |
| Filter mat, high efficiency | ATVF1X |
| Thermostat 0-60°C, NO contact | THV2 |
| Fan speed controller | FSC |
| Hood for IP55 | CUFF10B |



Specifications, values and drawings are subject to change without notice.



ATV 22



| Features | Unit | ATV2000 | ATV2200 | ATV2201 | ATV2224 | ATV2248 |
|--------------------------------|-------------------|---------------------------|--|-------------|----------------------------|---------|
| Air flow rate (free blow) | m ³ /h | - | 58(64) | | 58 | |
| Air flow rate with exit filter | m ³ /h | - | 43(48) | | 43 | |
| Power supply | V/Hz | - | 230 / 50-60 | 115 / 50-60 | 24DC | 48DC |
| Dimensions HxWxD | mm | 150x150x37 | 150x150x86 | | | |
| Power consumption | W | - | 22 (21) | | 9 | 13 |
| Current consumption | A | - | 0.14 (0.12) | 0.26 (0.24) | 0.37 | 0.27 |
| Overcurrent protection | - | - | impedance | | | |
| Electrical connection | - | - | 3-poles spring terminals * | | 2-poles spring terminals * | |
| Duty cycle | - | - | 100% | | | |
| Operating temperature | °C (°F) | -10 / +70 (+14/+158) | | | | |
| Protection degree / Class | - | IP54 | IP54 / Class I | | | |
| Noise level | dB(A) | - | 43(49) | | 45 | |
| Flow direction | - | - | reversible, default factory setting outside-in | | | |
| Bearing | - | - | ball | | | |
| Filter mat EN779 | - | G3 | G3 | | | |
| Service life (at 40°C) | hr | - | 50 000 | | | |
| Material | - | ABS UL94V-0 color RAL7035 | | | | |
| Wall thickness | mm | 1.2 - 2.4 | | | | |
| Gasket | - | foam seal gasket | | | | |
| Weight (with packaging) | kg | 0.18(0.23) | 0.76(0.83) | | 0.48(0.55) | |
| Package dimensions H x W x D | mm | 165x165x45 | 165x165x90 | | | |
| Mounting | - | fast clip-on | | | | |
| Conformity/Certifications | - | CE | | | | |

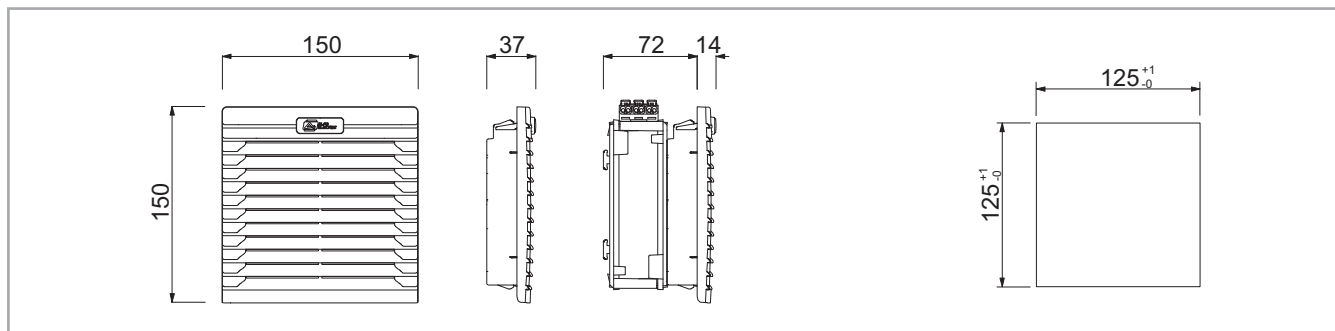
* 0.5-2.5mm²

Versions

| | |
|-----------------|---|
| UL-code ending | U |
| EMC-code ending | M |

Accessories

| | |
|-------------------------------|---------|
| Filter mat, standard type | ATVF2 |
| Filter mat, high efficiency | ATVF2X |
| Thermostat 0-60°C, NO contact | THV2 |
| Fan speed controller | FSC |
| Hood for IP55 | CUFF10B |



Specifications, values and drawings are subject to change without notice.



ATV 32



| Features | Unit | ATV3000 | ATV3200 | ATV3201 | ATV3224 | ATV3248 |
|--------------------------------|-------------------|---------------------------|--|-------------|----------------------------|---------|
| Air flow rate (free blow) | m ³ /h | - | 115 (125) | | 115 | |
| Air flow rate with exit filter | m ³ /h | - | 84 (97) | | 84 | |
| Power supply | V/Hz | - | 230 / 50-60 | 115 / 50-60 | 24DC | 48DC |
| Dimensions HxWxD | mm | 204x204x37 | 204x204x104 | | | |
| Power consumption | W | - | 22 (21) | | 9 | 13 |
| Current consumption | A | - | 0.14 (0.12) | 0.26 (0.24) | 0.37 | 0.27 |
| Overcurrent protection | - | - | impedance | | | |
| Electrical connection | - | - | 3-poles spring terminals * | | 2-poles spring terminals * | |
| Duty cycle | - | - | 100% | | | |
| Operating temperature | °C (°F) | -10 / +70 (+14/+158) | | | | |
| Protection degree / Class | - | IP54 | IP54 / Class I | | | |
| Noise level | dB(A) | - | 43 (49) | | 45 | |
| Flow direction | - | - | reversible, default factory setting outside-in | | | |
| Bearing | - | - | ball | | | |
| Filter mat EN779 | - | G3 | G3 | | | |
| Service life (at 40°C) | hr | - | 50 000 | | | |
| Material | - | ABS UL94V-0 color RAL7035 | | | | |
| Wall thickness | mm | 1.2 - 2.4 | | | | |
| Gasket | - | foam seal gasket | | | | |
| Weight (with packaging) | kg | 0.32(0.42) | 0.98(1.18) | | 0.70(0.90) | |
| Package dimensions | mm | 220x220x43 | 220x220x110 | | | |
| Mounting | - | fast clip-on | | | | |
| Conformity/Certifications | - | CE | | | | |

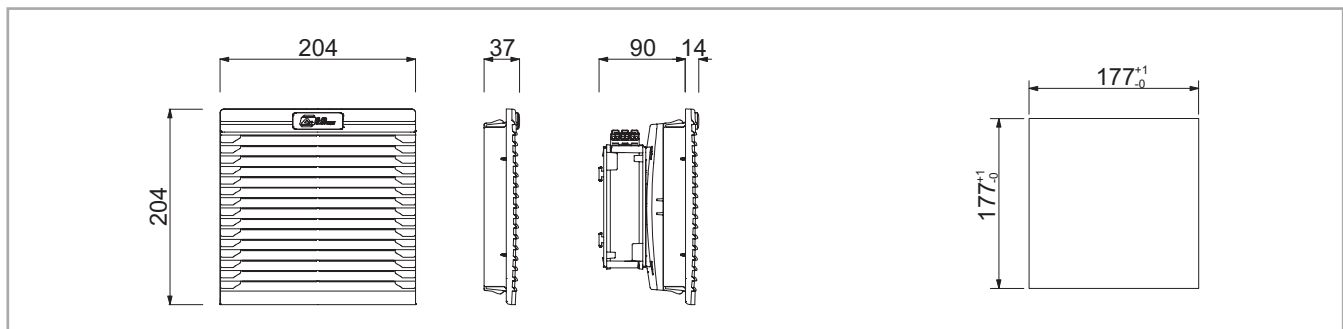
* 0.5-2.5mm²

Versions

| | |
|-----------------|---|
| UL-code ending | U |
| EMC-code ending | M |

Accessories

| | |
|-------------------------------|---------|
| Filter mat, standard type | ATVF3 |
| Filter mat, high efficiency | ATVF3X |
| Thermostat 0-60°C, NO contact | THV2 |
| Fan speed controller | FSC |
| Hood for IP55 | CUFF20B |



Specifications, values and drawings are subject to change without notice.



ATV 42



| Features | Unit | ATV4000 | ATV4200 | ATV4201 | ATV4224 | ATV4248 |
|--------------------------------|-------------------|------------|--|-------------|----------------------------|---------|
| Air flow rate (free blow) | m ³ /h | - | 125 (135) | | 125 | |
| Air flow rate with exit filter | m ³ /h | - | 102 (112) | | 102 | |
| Power supply | V/Hz | - | 230 / 50-60 | 115 / 50-60 | 24DC | 48DC |
| Dimensions HxWxD | mm | 250x250x38 | 250x250x107 | | | |
| Power consumption | W | - | 22 (21) | | 9 | 13 |
| Current consumption | A | - | 0.14 (0.12) | 0.26 (0.24) | 0.37 | 0.27 |
| Overcurrent protection | - | - | impedance | | | |
| Electrical connection | - | - | 3-poles spring terminals * | | 2-poles spring terminals * | |
| Duty cycle | - | - | 100% | | | |
| Operating temperature | °C (°F) | - | -10 / +70 (+14/+158) | | | |
| Protection degree / Class | - | IP54 | IP54 / Class I | | | |
| Noise level | dB(A) | - | 43 (49) | | 45 | |
| Flow direction | - | - | reversible, default factory setting outside-in | | | |
| Bearing | - | - | ball | | | |
| Filter mat EN779 | - | G3 | G3 | | | |
| Service life (at 40°C) | hr | - | 50 000 | | | |
| Material | - | - | ABS UL94V-0 color RAL7035 | | | |
| Wall thickness | mm | - | 1.2 - 2.4 | | | |
| Gasket | - | - | foam seal gasket | | | |
| Weight (with packaging) | kg | 0.52(0.62) | 1.30(1.50) | | 1.00(1.20) | |
| Package dimensions H x W x D | mm | 270x270x47 | 270x270x165 | | | |
| Mounting | - | - | fast clip-on | | | |
| Conformity/Certifications | - | - | CE | | | |

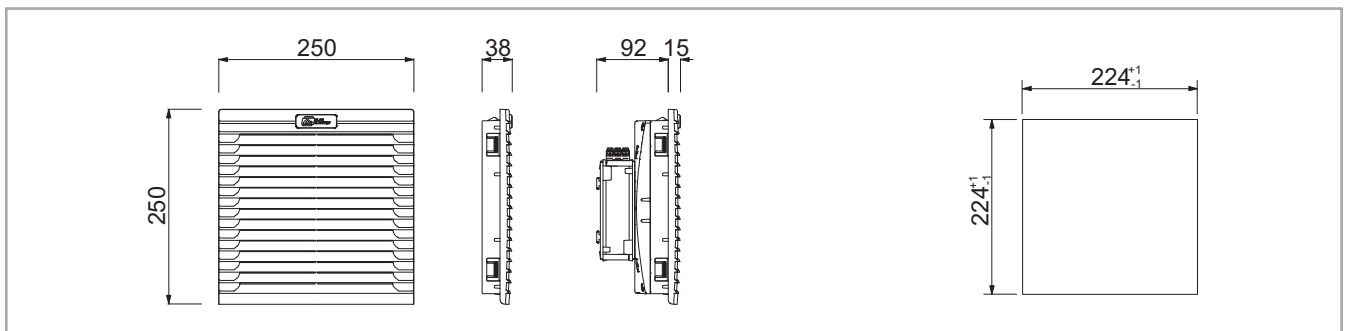
* 0.5-2.5mm²

Versions

| | |
|-----------------|---|
| UL-code ending | U |
| EMC-code ending | M |

Accessories

| | |
|-------------------------------|---------|
| Filter mat, standard type | ATVF4 |
| Filter mat, high efficiency | ATVF4X |
| Thermostat 0-60°C, NO contact | THV2 |
| Fan speed controller | FSC |
| Hood for IP55 | CUFF20B |



Specifications, values and drawings are subject to change without notice.



ATV 43 - ATV 44



| Features | Unit | ATV4000 | ATV4300 | ATV4301 | ATV4324 | ATV4348 | ATV4400 | ATV4401 | ATV4440 |
|--------------------------------|-------------------|---------------------------|--|-------------|----------------------------|---------|----------------------------|-------------|-------------|
| Air flow rate (free blow) | m ³ /h | - | 255 (290) | | 255 | | 410 (445) | | |
| Air flow rate with exit filter | m ³ /h | - | 202 (235) | | 202 | | 280 (302) | | |
| Power supply | V/Hz | - | 230 / 50-60 | 115 / 50-60 | 24DC | 48DC | 230 / 50-60 | 115 / 50-60 | 400 / 50-60 |
| Dimensions HxWxD | mm | 250x250x38 | 250x250x128 | | | | 250x250x136 | | |
| Power consumption | W | - | 40 (38) | | 26 | 33 | 70 (90) | | 60 (70) |
| Current consumption | A | - | 0.17 (0.16) | 0.34 (0.32) | 1.08 | 0.68 | 0.40 (0.38) | 0.80 (0.76) | 0.18 (0.15) |
| Overcurrent protection | - | - | thermal | | impedance | | thermal | | |
| Electrical connection | - | - | 3-poles spring terminals * | | 2-poles spring terminals * | | 3-poles spring terminals * | | 4-p s t* |
| Duty cycle | - | - | 100% | | | | | | |
| Operating temperature | °C (°F) | -10 / +70 (+14/+158) | | | | | | | |
| Protection degree / Class | - | IP54 | IP54 / Class I | | | | | | - |
| Noise level | dB(A) | - | 53 (58) | | 61 | | 65 (68) | | |
| Flow direction | - | - | reversible, default factory setting outside-in | | | | | | |
| Bearing | - | - | ball | | | | | | |
| Filter mat EN779 | - | G3 | G3 | | | | | | |
| Service life (at 40°C) | hr | - | 50 000 | | | | | | |
| Material | - | ABS UL94V-0 color RAL7035 | | | | | | | |
| Wall thickness | mm | 1.2 - 2.4 | | | | | | | |
| Gasket | - | foam seal gasket | | | | | | | |
| Weight (with packaging) | kg | 0.52(0.62) | 1.72(1.92) | | 1.53(1.73) | | 2.74(2.94) | | |
| Package dimensions H x W x D | mm | 270x270x47 | 270x270x165 | | | | | | |
| Mounting | - | fast clip-on | | | | | | | |
| Conformity/Certifications | - | CE | | | | | | | |

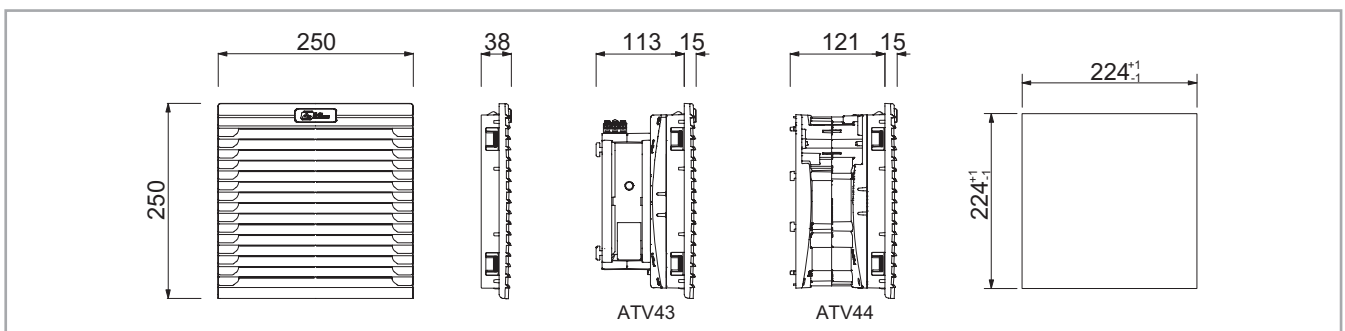
* 0.5-2.5mm²

Versions

| | | |
|-----------------|---|---|
| UL-code ending | U | - |
| EMC-code ending | M | - |

Accessories

| | |
|-------------------------------|---------|
| Filter mat, standard type | ATVF4 |
| Filter mat, high efficiency | ATVF4X |
| Thermostat 0-60°C, NO contact | THV2 |
| Hood for IP55 | CUFF20B |



Specifications, values and drawings are subject to change without notice.



ATV 54 - ATV 55



| Features | Unit | ATV5000 | ATV5400 | ATV5401 | ATV5440 | ATV5500 | ATV5501 |
|--------------------------------|-------------------|---------------------------|--|-------------|-------------|----------------------------|-------------|
| Air flow rate (free blow) | m ³ /h | - | 550 (620) | | | 700 (770) | |
| Air flow rate with exit filter | m ³ /h | - | 405 (450) | | | 520 (575) | |
| Power supply | V/Hz | - | 230 / 50-60 | 115 / 50-60 | 400 / 50-60 | 230 / 50-60 | 115 / 50-60 |
| Dimensions HxWxD | mm | 325x325x42 | 325x325x140 | | | 325x325x154 | |
| Power consumption | W | - | 70 (90) | | 60 (70) | 130 (180) | |
| Current consumption | A | - | 0.40 (0.38) | 0.80 (0.76) | 0.18 (0.15) | 0.55 (0.81) | 1.10 (1.62) |
| Overcurrent protection | - | - | thermal | | | | |
| Electrical connection | - | - | 3-poles spring terminals * | | 4-p s t* | 3-poles spring terminals * | |
| Duty cycle | - | - | 100% | | | | |
| Operating temperature | °C (°F) | -10 / +70 (+14/+158) | | | | | |
| Protection degree / Class | - | IP54 | IP54 / Class I | | | | |
| Noise level | dB(A) | - | 65 (68) | | | 72 (73) | |
| Flow direction | - | - | reversible, default factory setting outside-in | | | | |
| Bearing | - | - | ball | | | | |
| Filter mat EN779 | - | G3 | G3 | | | | |
| Service life (at 40°C) | hr | - | 50 000 | | | | |
| Material | - | ABS UL94V-0 color RAL7035 | | | | | |
| Wall thickness | mm | 1.2 - 2.4 | | | | | |
| Gasket | - | foam seal gasket | | | | | |
| Weight (with packaging) | kg | 0.90(1.04) | 3.00(3.25) | | | 3.55(3.80) | |
| Package dimensions | mm | 340x340x50 | 340x340x180 | | | | |
| Mounting | - | fast clip-on | | | | | |
| Conformity/Certifications | - | CE | | | | | |

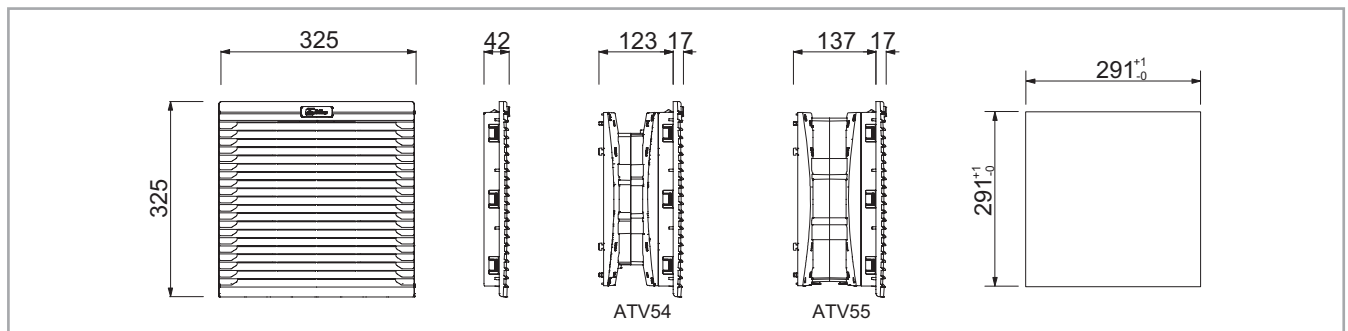
* 0.5-2.5mm²

Versions

| | | | | |
|-----------------|---|---|---|---|
| UL-code ending | U | - | U | - |
| EMC-code ending | | M | | |

Accessories

| | | |
|-------------------------------|---|---------|
| Filter mat, standard type | | ATVF5 |
| Filter mat, high efficiency | | ATVF5X |
| Thermostat 0-60°C, NO contact | - | THV2 |
| Hood for IP55 | | CUFF30B |



Specifications, values and drawings are subject to change without notice.



ALFAA5



TIP

If possible it is better to use the units with the air flow from the outside to the enclosure inside. The slight pressurization of the panel prevents dust from getting through any openings.



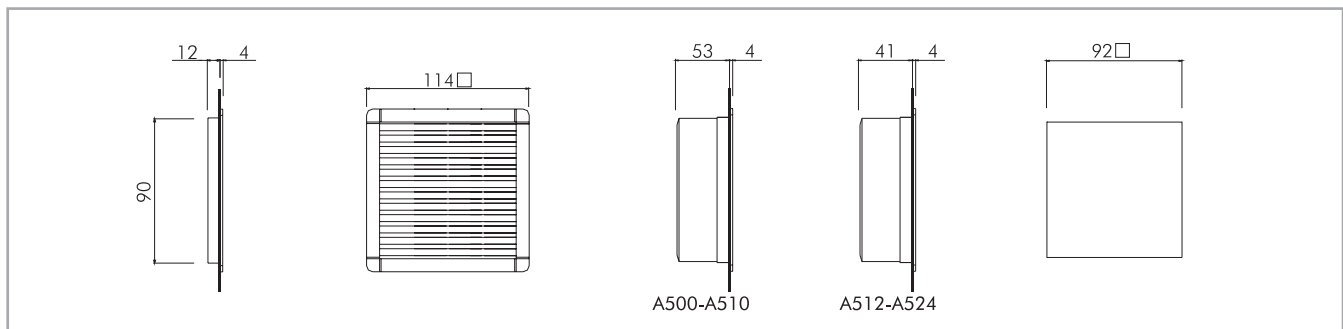
| Features | Unit | ALFAA000BPB | ALFAA500BPB | ALFAA510BPB | ALFAA512BPB | ALFAA524BPB |
|----------------------------|-------------------|-------------|---------------------------|-------------|-------------------------------------|-------------|
| Air flow rate (free blow) | m ³ /h | - | 24(28) | | 24 | |
| Flow rate with exit filter | m ³ /h | - | 14(17) | | 14 | |
| Power supply | V/Hz | - | 230/50-60 | 115/50-60 | 12DC | 24DC |
| Dimensions HxWxD | mm | 114x114x16 | 114x114x57 | | 114x114x45 | |
| Power consumption | W | - | 13(12) | | 3 | 4 |
| Current consumption | A | - | 0.10(0.08) | 0.14(0.12) | 0.25 | 0.16 |
| Overcurrent protection | - | - | impedance | | | |
| Electric connection | - | - | faston 2.8x0.5 mm | | 2-pole terminal 1.5 mm ² | |
| Duty cycle | - | - | 100% | | | |
| Operating temperature | °C (°F) | - | -10/+70 (+14/+158) | | | |
| Protection degree/class | - | IP54 | IP54/Class I | | | |
| Noise level | dB(A) | - | 30(35) | | 35 | |
| Flow direction | - | - | outside-in | | | |
| Bearing | - | - | ball | | | |
| Filter mat EN779 | - | - | G2 | | | |
| Service life (at 40°C) | hr | - | 50 000 | | | |
| Material | - | - | ABS UL94V-0 Color RAL7035 | | | |
| Wall thickness | mm | - | 1.2-2.4 | | | |
| Gasket | - | - | self-adhesive | | | |
| Weight (with packaging) | kg | 0.06(0.10) | 0.38(0.43) | - | 0.18(0.23) | - |
| Package dimensions | mm | 120x120x20 | 120x120x60 | | | |
| Mounting | - | - | Fast Clip-on | | | |
| Conformity/Certifications | - | - | CE | | | |

Versions

| UL File n. E301228 | ALFAA000BPUB | ALFAA500BPUB | ALFAA510BPUB | ALFAA512BPUB | ALFAA524BPUB |
|-------------------------------|--|--------------|--------------|--------------|--------------|
| RAL7032 - Gray - Code ending | delete B | | | | |
| RAL9005 - Black - Code ending | delete B, add N (available on request) | | | | |
| EMC - Code ending | M | | | | |
| Reverse flow - Code ending | - | - | - | PR | - |
| Connection with terminals | - | - | K | - | - |

Accessories

| | | | | | |
|-------------------------------|------------|---------------|------|---|---|
| Filter mat, standard type | ALFAFBPA0 | | | | |
| Filter mat, high efficiency | ALFAFBPA0X | | | | |
| Thermostat 0-60°C, NO contact | - | - | THV2 | - | - |
| Power cord 1m | - | SPINOTTOA2-10 | - | - | - |
| Fan speed controller | - | FSC | - | - | - |
| Hood for IP55 | CUFF10B | | | | |



Specifications, values and drawings are subject to change without notice.



ALFA15-ALFA16



TIPS

If you are using the high filtering capacity filter mat remember that air flow rate will decrease.

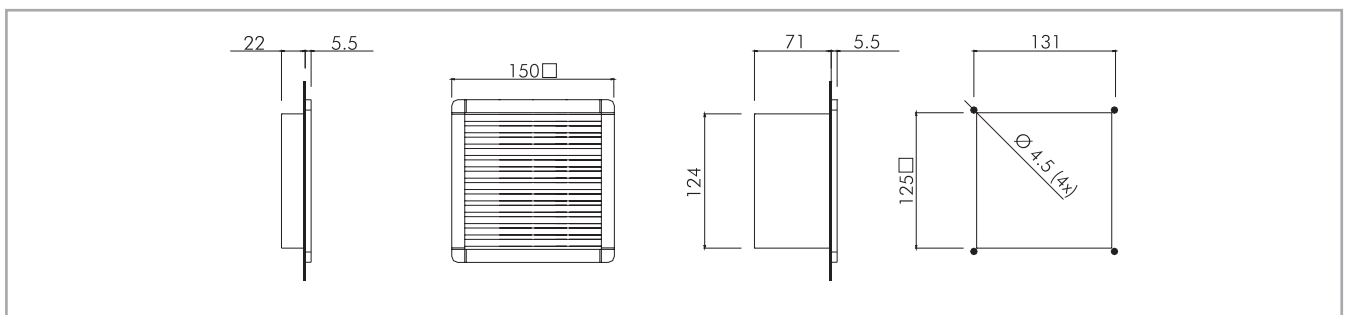
| Features | Unit | ALFA1000BPB | ALFA1600BPB | ALFA1610BPB | ALFA1524BPTB | ALFA1548BPTB |
|----------------------------|-------------------|---------------------------|-------------------|-------------|-------------------------------------|--------------|
| Air flow rate (free blow) | m ³ /h | - | 55(60) | | 55 | |
| Flow rate with exit filter | m ³ /h | - | 40(45) | | 40 | |
| Power supply | V/Hz | - | 230/50-60 | 115/50-60 | 24DC | 48DC |
| Dimensions HxWxD | mm | 150x150x28 | 150x150x77 | | | |
| Power consumption | W | - | 22(21) | | 9 | 13 |
| Current consumption | A | - | 0.14(0.12) | 0.26(0.24) | 0.37 | 0.27 |
| Overcurrent protection | - | - | impedance | | | |
| Electric connection | - | - | faston 2.8x0.5 mm | | 2-pole terminal 1.5 mm ² | |
| Duty cycle | - | - | 100% | | | |
| Operating temperature | °C (°F) | -10/+70 (+14/+158) | | | | |
| Protection degree/class | - | IP54 | IP54/Class I | | | |
| Noise level | dB(A) | - | 43(49) | | 45 | |
| Flow direction | - | - | outside-in | | | |
| Bearing | - | - | ball | | | |
| Filter mat EN779 | - | G3 | | | | |
| Service life (at 40°C) | hr | - | 50 000 | | | |
| Material | - | ABS UL94V-0 Color RAL7035 | | | | |
| Wall thickness | mm | 1.2-2.4 | | | | |
| Gasket | - | self-adhesive | | | | |
| Weight (with packaging) | kg | 0.16(0.21) | 0.78(0.85) | | 0.47(0.54) | |
| Package dimensions | mm | 165x165x45 | 165x165x90 | | | |
| Mounting | - | Fast Clip-on | | | | |
| Conformity/Certifications | - | CE | | | | |

Versions

| | | | | | |
|-------------------------------|--|--------------|--------------|---------------|---------------|
| UL File n. E301228 | ALFA1000BPUB | ALFA1600BPUB | ALFA1610BPUB | ALFA1524BPTUB | ALFA1548BPTUB |
| RAL7032 - Gray - Code ending | delete B | | | | |
| RAL9005 - Black - Code ending | delete B, add N (available on request) | | | | |
| EMC - Code ending | M | | | | |
| Reverse flow - Code ending | - | - | - | PR | - |
| Connection with terminals | - | - | K | - | - |

Accessories

| | | | | | |
|-------------------------------|------------|---|---------------|------|---|
| Filter mat, standard type | ALFAFBP10 | | | | |
| Filter mat, high efficiency | ALFAFBP10X | | | | |
| Thermostat 0-60°C, NO contact | - | - | - | THV2 | - |
| Power cord 1m | - | - | SPINOTTOA2-10 | - | - |
| Fan speed controller | - | - | FSC | - | - |
| Hood for IP55 | CUFF10B | | | | |



Specifications, values and drawings are subject to change without notice.



ALFAB5



TIPS

The filter fan unit can be switched on by a thermostat that will power it only when the temperature exceeds a set threshold (e.g. 35°C). The fan works only when cooling is needed which saves energy, increases the life-time of the filter mat and reduce maintenance frequency.

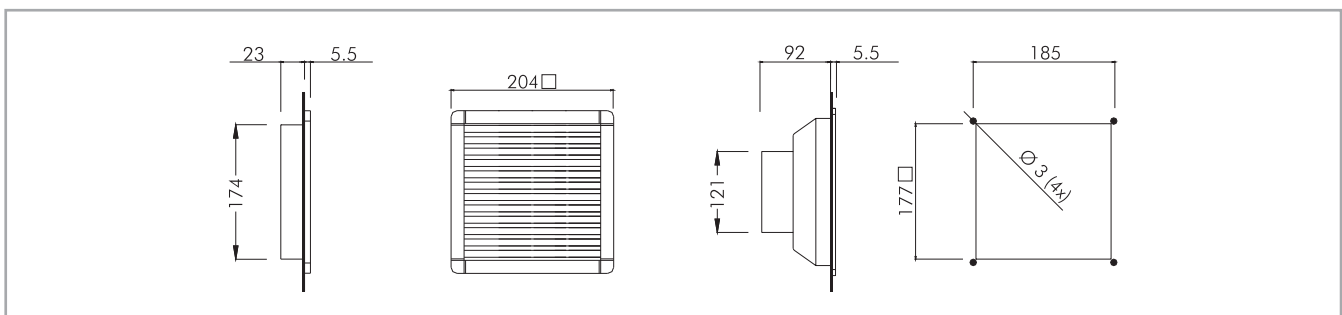
| Features | Unit | ALFAB000BPB | ALFAB500BPB | ALFAB510BPB | ALFAB524BPTB | ALFAB548BPTB |
|----------------------------|-------------------|---------------------------|-------------------|-------------|-------------------------------------|--------------|
| Air flow rate (free blow) | m ³ /h | - | 110(120) | | 110 | |
| Flow rate with exit filter | m ³ /h | - | 80(92) | | 80 | |
| Power supply | V/Hz | - | 230/50-60 | 115/50-60 | 24DC | 48DC |
| Dimensions HxWxD | mm | 204x204x29 | 204x204x98 | | | |
| Power consumption | W | - | 22(21) | | 9 | 13 |
| Current consumption | A | - | 0.14(0.12) | 0.26(0.24) | 0.37 | 0.27 |
| Overcurrent protection | - | - | impedance | | | |
| Electric connection | - | - | faston 2.8x0.5 mm | | 2-pole terminal 1.5 mm ² | |
| Duty cycle | - | - | 100% | | | |
| Operating temperature | °C (°F) | -10/+70 (+14/+158) | | | | |
| Protection degree/class | - | IP54 | IP54/Class I | | | |
| Noise level | dB(A) | - | 43(49) | | 45 | |
| Flow direction | - | - | outside-in | | | |
| Bearing | - | - | ball | | | |
| Filter mat EN779 | - | G3 | | | | |
| Service life (at 40°C) | hr | - | 50 000 | | | |
| Material | - | ABS UL94V-0 Color RAL7035 | | | | |
| Wall thickness | mm | 1.2-2.4 | | | | |
| Gasket | - | self-adhesive | | | | |
| Weight (with packaging) | kg | 0.26(0.36) | 1.00(1.20) | | 0.70(0.90) | |
| Package dimensions | mm | 220x220x43 | 220x220x110 | | | |
| Mounting | - | Fast Clip-on | | | | |
| Conformity/Certifications | - | CE | | | | |

Versions

| | ALFAB000BPUB | ALFAB500BPUB | ALFAB510BPUB | ALFAB524BPTUB | ALFAB548BPTUB |
|-------------------------------|--|--------------|--------------|---------------|---------------|
| UL File n. E301228 | delete B | | | | |
| RAL7032 - Gray - Code ending | delete B, add N (available on request) | | | | |
| RAL9005 - Black - Code ending | M | | | | |
| EMC - Code ending | PR | | | | |
| Reverse flow - Code ending | - | - | K | - | - |
| Connection with terminals | - | - | - | - | - |

Accessories

| | | | | | |
|-------------------------------|------------|---|---------------|---|---|
| Filter mat, standard type | ALFABFPB0 | | | | |
| Filter mat, high efficiency | ALFABFPB0X | | | | |
| Thermostat 0-60°C, NO contact | - | - | THV2 | | |
| Power cord 1m | - | - | SPINOTTOA2-10 | - | - |
| Fan speed controller | - | - | FSC | - | - |
| Hood for IP55 | CUFF20B | | | | |



Specifications, values and drawings are subject to change without notice.



ALFA23



TIPS

DC powered filter fan units can be the best way to prevent EMC interference to monitors and other sensitive equipment inside the enclosure.

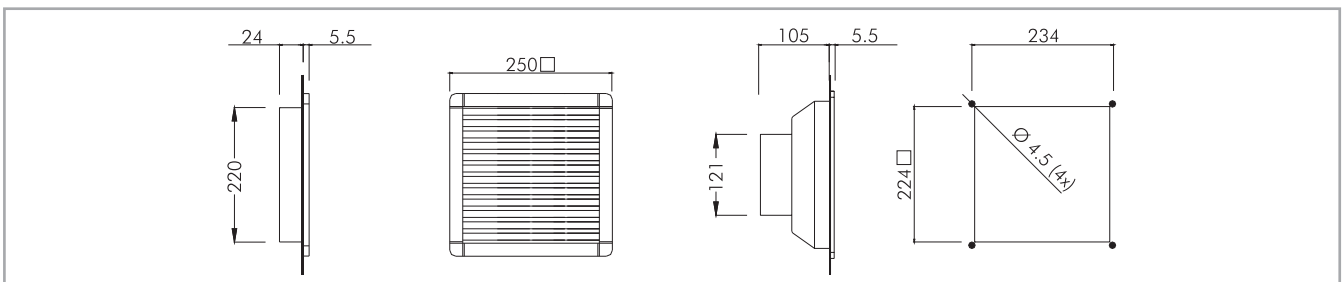
| Features | Unit | ALFA2000BPB | ALFA2300BPB | ALFA2310BPB | ALFA2324BPB | ALFA2348BPB |
|----------------------------|-------------------|---------------------------|-------------------|-------------|-------------------------------------|-------------|
| Air flow rate (free blow) | m ³ /h | - | 120(130) | | 120 | |
| Flow rate with exit filter | m ³ /h | - | 100(110) | | 100 | |
| Power supply | V/Hz | - | 230/50-60 | 115/50-60 | 24DC | 48DC |
| Dimensions HxWxD | mm | 250x250x30 | 250x250x111 | | | |
| Power consumption | W | - | 22(21) | | 9 | 13 |
| Current consumption | A | - | 0.14(0.12) | 0.26(0.24) | 0.37 | 0.27 |
| Overcurrent protection | - | - | impedance | | | |
| Electric connection | - | - | faston 2.8x0.5 mm | | 2-pole terminal 1.5 mm ² | |
| Duty cycle | - | - | 100% | | | |
| Operating temperature | °C (°F) | -10/+70 (+14/+158) | | | | |
| Protection degree/class | - | IP54 | IP54/Class I | | | |
| Noise level | dB(A) | - | 43(49) | | 45 | |
| Flow direction | - | - | outside-in | | | |
| Bearing | - | - | ball | | | |
| Filter mat EN779 | - | G3 | | | | |
| Service life (at 40°C) | hr | - | 50 000 | | | |
| Material | - | ABS UL94V-0 Color RAL7035 | | | | |
| Wall thickness | mm | 1.2-2.4 | | | | |
| Gasket | - | self-adhesive | | | | |
| Weight (with packaging) | kg | 0.42(0.52) | 1.20(1.40) | | 0.90(1.10) | |
| Package dimensions | mm | 270x270x47 | 270x270x165 | | | |
| Mounting | - | Fast Clip-on | | | | |
| Conformity/Certifications | - | CE | | | | |

Versions

| | | | | | |
|-------------------------------|--|-------------|-------------|-------------|-------------|
| UL File n. E301228 | ALFA2000BPB | ALFA2300BPB | ALFA2310BPB | ALFA2324BPB | ALFA2348BPB |
| RAL7032 - Gray - Code ending | delete B | | | | |
| RAL9005 - Black - Code ending | delete B, add N (available on request) | | | | |
| EMC - Code ending | M | | | | |
| Reverse flow - Code ending | - | PR | | | - |
| Connection with terminals | - | K | - | | |

Accessories

| | | | | | |
|-------------------------------|-----------|---------------|--|---|---|
| Filter mat, standard type | ALFABP20 | | | | |
| Filter mat, high efficiency | ALFABP20X | | | | |
| Thermostat 0-60°C, NO contact | - | THV2 | | | - |
| Power cord 1m | - | SPINOTTOA2-10 | | - | |
| Fan speed controller | - | FSC | | - | |
| Hood for IP55 | CUFF20B | | | | |



Specifications, values and drawings are subject to change without notice.



ALFA25 - ALFA26



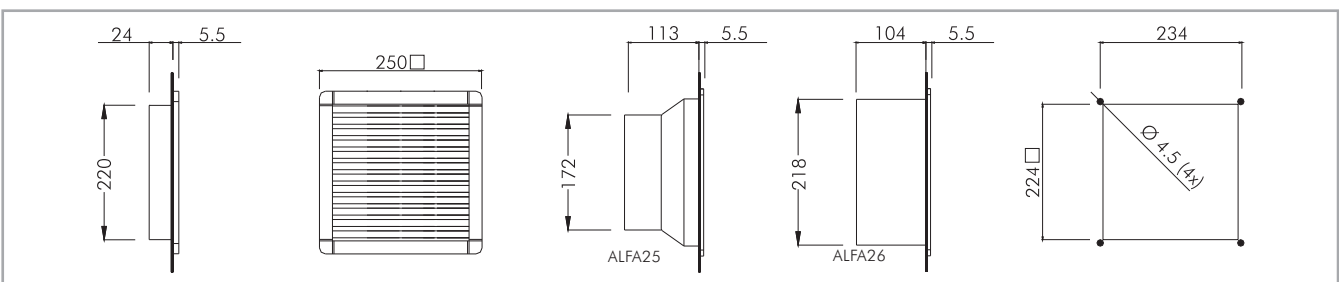
| Features | Unit | ALFA2000BPB | ALFA2500BPB | ALFA2510BPB | ALFA2524BPTB | ALFA2548BPTB | ALFA2600BPB | ALFA2610BPB | ALFA2640BPB |
|----------------------------|-------------------|---------------------------|-------------------------------------|-------------|-------------------------------------|--------------|-------------------------------------|-------------|---------------------------|
| Air flow rate (free blow) | m ³ /h | - | 230(260) | | 230 | | 370(400) | | |
| Flow rate with exit filter | m ³ /h | - | 180(210) | | 180 | | 250(270) | | |
| Power supply | V/Hz | - | 230/50-60 | 115/50-60 | 24DC | 48DC | 230/50-60 | 115/50-60 | 400/50-60 |
| Dimensions HxWxD | mm | 250x250x30 | 250x250x119 | | | 250x250x110 | | | |
| Power consumption | W | - | 40(38) | | 26 | 33 | 70(90) | | 60(70) |
| Current consumption | A | - | 0.17(0.16) | 0.34(0.32) | 1.08 | 0.68 | 0.40(0.38) | 0.80(0.76) | 0.18(0.15) |
| Overcurrent protection | - | - | thermal | | impedance | | thermal | | |
| Electric connection | - | - | 3-pole terminal 2.5 mm ² | | 2-pole terminal 2.5 mm ² | | 3-pole terminal 2.5 mm ² | | 4-p.t.2.5 mm ² |
| Duty cycle | - | - | 100% | | | | | | |
| Operating temperature | °C (°F) | -10/+70 (+14/+158) | | | | | | | |
| Protection degree/class | - | IP54 | IP54/Class I | | | | | | |
| Noise level | dB(A) | - | 53(58) | | 61 | | 65(68) | | |
| Flow direction | - | - | outside-in | | | | | | |
| Bearing | - | - | ball | | | | | | |
| Filter mat EN779 | - | G3 | | | | | | | |
| Service life (at 40°C) | hr | - | 50 000 | | | | | | |
| Material | - | ABS UL94V-0 Color RAL7035 | | | | | | | |
| Wall thickness | mm | 1.2-2.4 | | | | | | | |
| Gasket | - | self-adhesive | | | | | | | |
| Weight (with packaging) | kg | 0.42(0.52) | 1.60(1.80) | | 1.20(1.40) | | 2.50(2.70) | | |
| Package dimensions | mm | 270x270x47 | 270x270x165 | | | | | | |
| Mounting | - | Fast Clip-on | | | | | | | |
| Conformity/Certifications | - | CE | | | | | | | |

Versions

| | | | | | | | | |
|-------------------------------|--|--------------|--------------|---------------|---------------|--------------|--------------|---|
| UL File n. E301228 | ALFA2000BPUB | ALFA2500BPUB | ALFA2510BPUB | ALFA2524BPTUB | ALFA2548BPTUB | ALFA2600BPUB | ALFA2610BPUB | - |
| RAL7032 - Gray - Code ending | delete B | | | | | | | |
| RAL9005 - Black - Code ending | delete B, add N (available on request) | | | | | | | |
| EMC - Code ending | M | | | | | | | |
| Reverse flow - Code ending | - | PR | | | | | | |

Accessories

| | | | | | | | | |
|-------------------------------|------------|------|--|--|--|--|--|--|
| Filter mat, standard type | ALFAFBP20 | | | | | | | |
| Filter mat, high efficiency | ALFAFBP20X | | | | | | | |
| Thermostat 0-60°C, NO contact | - | THV2 | | | | | | |
| Hood for IP55 | CUFF20B | | | | | | | |



Specifications, values and drawings are subject to change without notice.



ALFA35 - ALFA36



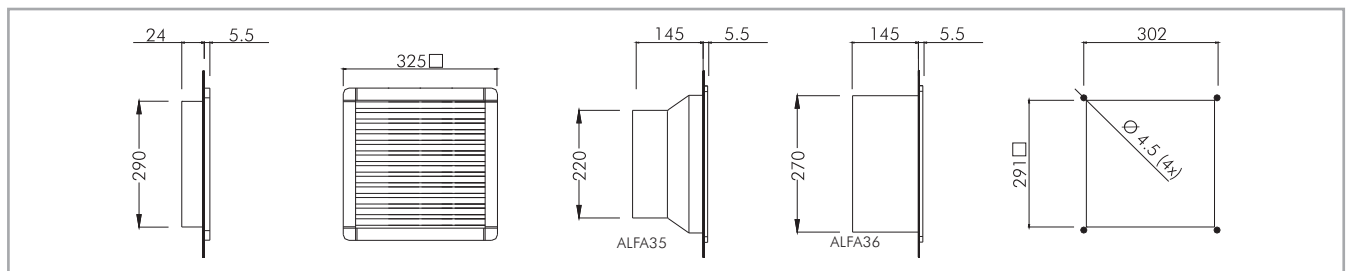
| Features | Unit | ALFA3000BPB | ALFA3500BPB | ALFA3510BPB | ALFA3540BPB | ALFA3600BPB | ALFA3610BPB |
|--------------------------------|-------------------|---------------------------|--------------------------------------|-------------|---------------------------|--------------------------------------|-------------|
| Air flow rate (free blow) | m ³ /h | - | 500 (570) | | | 630 (700) | |
| Air flow rate with exit filter | m ³ /h | - | 370 (410) | | | 470 (520) | |
| Power supply | V/Hz | - | 230 / 50-60 | 115 / 50-60 | 400 / 50-60 | 230 / 50-60 | 115 / 50-60 |
| Dimensions HxWxD | mm | 325x325x30 | 325x325x151 | | | | |
| Power consumption | W | - | 70 (90) | | 60 (70) | 130 (180) | |
| Current consumption | A | - | 0.40 (0.38) | 0.80 (0.76) | 0.18 (0.15) | 0.55 (0.81) | 1.10 (1.62) |
| Overcurrent protection | - | - | thermal | | | | |
| Electrical connection | - | - | 3-poles terminals 2.5mm ² | | 4-p.t. 2.5mm ² | 3-poles terminals 2.5mm ² | |
| Duty cycle | - | - | 100% | | | | |
| Operating temperature | °C (°F) | -10 / +70 (+14/+158) | | | | | |
| Protection degree / Class | - | IP54 | IP54 / Class I | | | | |
| Noise level | dB(A) | - | 65 (68) | | | 72 (73) | |
| Flow direction | - | - | outside-in | | | | |
| Bearing | - | - | ball | | | | |
| Filter mat EN779 | - | G3 | G3 | | | | |
| Service life (at 40°C) | hr | - | 50 000 | | | | |
| Material | - | ABS UL94V-0 color RAL7035 | | | | | |
| Wall thickness | mm | 1.2 - 2.4 | | | | | |
| Gasket | - | self-adhesive | | | | | |
| Weight (with packaging) | kg | 0.64 (0.78) | 3.00 (3.25) | | | 3.65 (3.90) | |
| Package dimensions | mm | 340x340x50 | 340x340x180 | | | | |
| Mounting | - | fast clip-on | | | | | |
| Conformity/Certifications | - | CE | | | | | |

Versions

| | | | | | | |
|-------------------------------|--|--------------|--------------|---|--------------|---|
| UL - File E301228 | ALFA3000BPUB | ALFA3500BPUB | ALFA3510BPUB | - | ALFA3600BPUB | - |
| RAL7032 - Gray - Code ending | delete B | | | | | |
| RAL9005 - Black - Code ending | delete B, add N (available on request) | | | | | |
| EMC-Code ending | M | | | | | |
| Reverse flow- Code ending | - | | PR | | | - |

Accessories

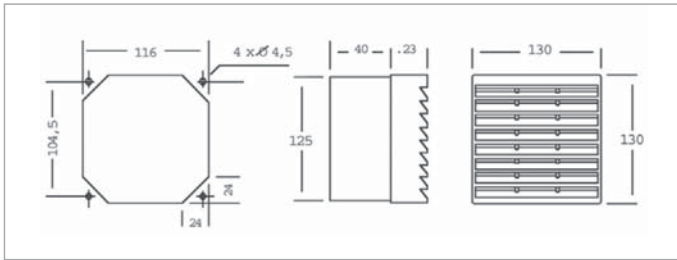
| | | | | | | |
|-------------------------------|------------|--|--|--|------|--|
| Filter mat, standard type | ALFAFBP30 | | | | | |
| Filter mat, high efficiency | ALFAFBP30X | | | | | |
| Thermostat 0-60°C, NO contact | - | | | | THV2 | |
| Hood for IP55 | CUFF30B | | | | | |



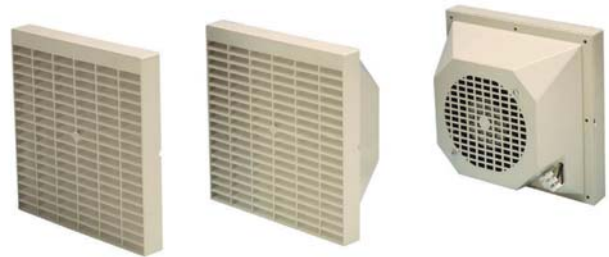
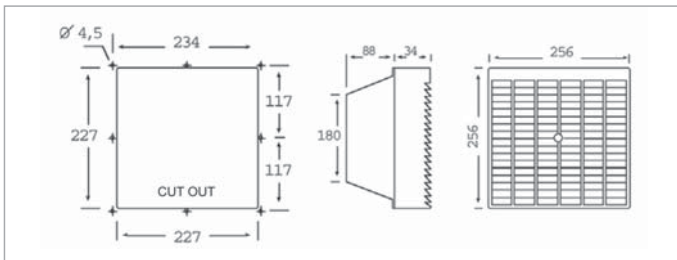
Specifications, values and drawings are subject to change without notice.



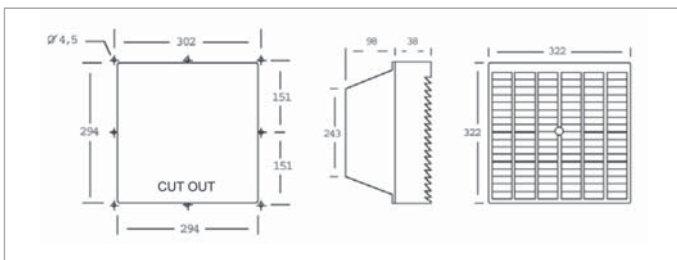
ALFA 1000 Series



ALFA 2000 Series



ALFA 3000 Series



| Model | Description | Voltage (V) | Frequency (Hz) | Power (W) | Absorbed current (A) | Noise level dB (A) | Filter fan air volume free blowing m ³ /h | Filter fan air volume with exit filter **m ³ /h |
|---------------|--------------------|-------------|----------------|-----------|----------------------|--------------------|--|--|
| ALFA 1000 AP | Filter 130x130 | | | | | | | |
| ALFA 1524 APT | Filter fan 130x130 | 24 DC | | 9 | 0.37 | 47 | 55 | 40 |
| ALFA 1548 APT | Filter fan 130x130 | 48 DC | | 13 | 0.27 | 47 | 55 | 40 |
| ALFA 1600 AP | Filter fan 130x130 | 230 | 50/60 | 19/18 | 0.14/0.12 | 46/50 | 55/60 | 40/45 |
| ALFA 1610 AP | Filter fan 130x130 | 115 | 50/60 | 19/18 | 0.25/0.19 | 46/50 | 55/60 | 40/45 |
| ALFA 2000 AP | Filter 256x256 | | | | | | | |
| ALFA 2324 APT | Filter fan 256x256 | 24 DC | | 9 | 0.37 | 47 | 105 | 80 |
| ALFA 2348 APT | Filter fan 256x256 | 48DC | | 13 | 0.27 | 47 | 105 | 80 |
| ALFA 2400 AP | Filter fan 256x256 | 230 | 50/60 | 19/18 | 0.14/0.12 | 47/53 | 120/130 | 95/105 |
| ALFA 2410 AP | Filter fan 256x256 | 115 | 50/60 | 19/18 | 0.25/.019 | 47/53 | 120/130 | 95/105 |
| ALFA 2500 AP | Filter fan 256x256 | 230 | 50/60 | 40/38 | 0.30/0.27 | 56/58 | 230/260 | 175/200 |
| ALFA 2510 AP | Filter fan 256x256 | 115 | 50/60 | 40/38 | 0.60/0.55 | 56/58 | 230/260 | 175/200 |
| ALFA 2524 APT | Filter fan 256x256 | 24 DC | | 22 | 1.08 | 56 | 230 | 175 |
| ALFA 2548 APT | Filter fan 256x256 | 48 DC | | 33 | 0.68 | 56 | 230 | 175 |
| ALFA 3000 AP | Filter 325x325 | | | | | | | |
| ALFA 3500 AP | Filter fan 325x325 | 230 | 50/60 | 70/90 | 0.40/0.38 | 65/68 | 480/530 | 350/380 |
| ALFA 3510 AP | Filter fan 325x325 | 115 | 50/60 | 70/90 | 0.80/0.76 | 65/68 | 480/530 | 350/380 |
| ALFA 3540 AP | Filter fan 325x325 | 400-3 | 50/60 | 60/70 | 0.18/0.15 | 65/68 | 500/550 | 350/380 |

**Jointed an exit filter of equal dimension

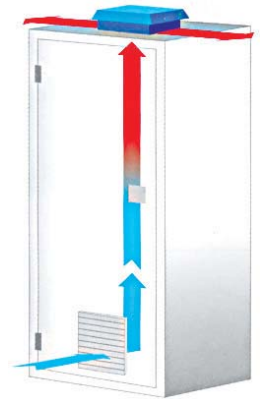
TECHNICAL FEATURES: products comply with directives 73/23/EEC and 89/336/EEC; ball bearing axial fans marked CE (some models available with UL and CSA approval); plastic material self-extinguish ABS V0 RAL 7032/7035 black on request; high efficiency dust filters made of self-extinguish acrylic fibre; protection degree IP54.

Specifications, values and drawings are subject to change without notice.



Roof fans 600-1000 m³/hr

ALFATORR ROOF FAN AND VENT



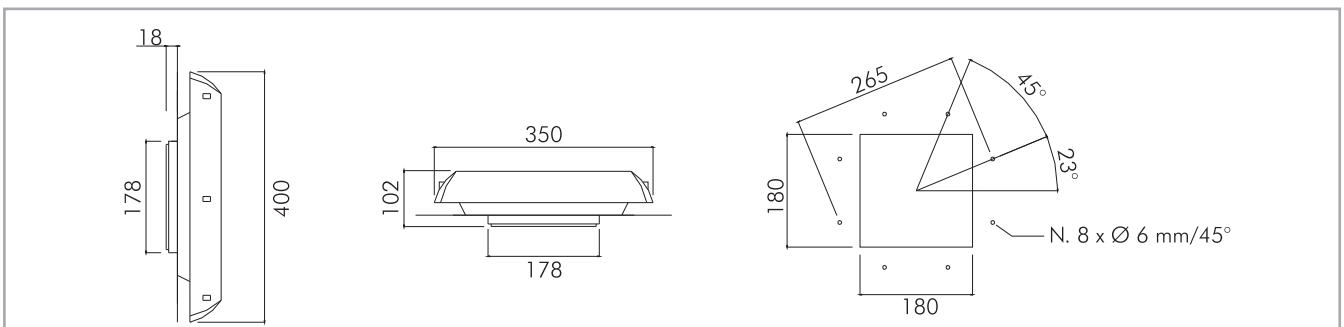
| Features | Unit | ALFATORRB | ALFATORR0600B | ALFATORR0610B | ALFATORR0860B | ALFATORR0861B | ALFATORR1000B | ALFATORR1010B |
|----------------------------------|-------------------|---------------------------|-------------------------------------|---------------|---------------|---------------|---------------|---------------|
| Air flow rate (free blow) | m ³ /h | - | 600(625) | | 860(950) | | 1000(1050) | |
| Flow rate with inlet filter | m ³ /h | - | 430(450) | | 580(640) | | 700(720) | |
| Power supply | V/Hz | - | 230/50-60 | 115/50-60 | 230/50-60 | 115/50-60 | 230/50-60 | 115/50-60 |
| Dimensions HxWxD | mm | 400x350x102 | | 400x350x102 | | | | |
| Power consumption | W | - | 70(90) | | 85(115) | | 120(170) | |
| Current consumption | A | - | 0.32(0.40) | 0.64(0.80) | 0.43(0.50) | 0.86(1.00) | 0.50(0.75) | 1.00(1.50) |
| Overcurrent protection | - | - | thermal | | | | | |
| Electric connection | - | - | 4-pole terminal 2.5 mm ² | | | | | |
| Duty cycle | - | - | 100% | | | | | |
| Operating temperature | °C (°F) | - | -10/+70 (+14/+158) | | | | | |
| Protection degree enclosure side | - | - | IP44 | | | | | |
| Protection class | - | - | Class I | | | | | |
| Noise level | dB(A) | - | 64(65) | | 72(73) | | | |
| Flow direction | - | - | inside-out | | | | | |
| Bearing | - | - | ball | | | | | |
| Service life (at 40°C) | hr | - | 50 000 | | | | | |
| Material | - | ABS UL94V-0 Color RAL7035 | | | | | | |
| Gasket | - | self-adhesive | | | | | | |
| Weight (with packaging) | kg | 2.30(2.50) | 3.65(3.85) | | 4.00(4.20) | | 4.75(4.95) | |
| Package dimensions | mm | 410x360x130 | | | | | | |
| Mounting | - | Screws | | | | | | |
| Conformity/Certifications | - | CE | | | | | | |

Versions

| | | | | | | |
|------------------------------|------------|----------------|----------------|----------------|----------------|---|
| UL e-File n. E301228 | ALFATORRUB | ALFATORR0600UB | ALFATORR0610UB | ALFATORR0860UB | ALFATORR0861UB | - |
| RAL7032 - Gray - Code ending | delete B | | | | | |
| EMC - Code ending | M | | | - | | |
| IP54 - Code ending | | | | F | | |

Accessories

| | | |
|-------------------------------|---|----------|
| Thermostat 0-60°C, NO contact | - | THV2 |
| Grill with filter mat | | ATV5000 |
| Spare filter mat | | ALFAFT10 |



Specifications, values and drawings are subject to change without notice.



ALFATORR14 ROOF FANS



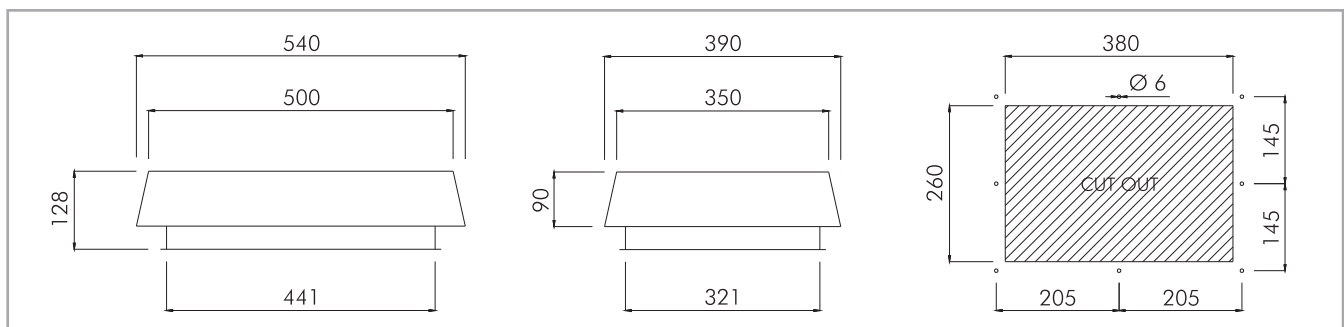
| Features | Unit | ALFATORRMETB | ALFATORR1450B | ALFATORR1451B |
|--------------------------------|-------------------|---------------------|-------------------|---------------|
| Air flow rate (free blow) | m ³ /h | - | 1500 (1550) | |
| Air flow rate with exit filter | m ³ /h | - | 900 (950) | |
| Power supply | V/Hz | - | 230 / 50-60 | 115 / 50-60 |
| Dimensions HxWxD | mm | 540x390x128 | | |
| Power consumption | W | - | 160 (215) | |
| Current consumption | A | - | 0.70 (0.98) | 1.40 (1.96) |
| Overcurrent protection | - | - | thermal | |
| Electrical connection | - | - | 4-poles terminals | |
| Duty cycle | - | - | 100% | |
| Operating temperature | °C (°F) | -20 / +50 (-4/+122) | | |
| Protection degree / Class | - | - | IP44 / Class I | |
| Noise level | dB(A) | - | 74 (75) | |
| Flow direction | - | - | inside-out | |
| Bearing | - | - | ball | |
| Service life (at 40°C) | hr | - | 50 000 | |
| Material | - | Metal RAL7035 | | |
| Gasket | - | self-adhesive | | |
| Weight (with packaging) | kg | 5.2 (5.5) | 11.3 (12.3) | |
| Package dimensions | mm | 550x400x140 | | |
| Mounting | - | screws | | |
| Conformity/Certifications | - | CE | | |

Versions

| | | |
|------------------------------|--|----------|
| RAL7032 - Gray - Code ending | | delete B |
| IP54 - Code ending | | F |

Accessories

| | | |
|-------------------------------|---|----------|
| Thermostat 0-60°C, NO contact | - | THV2 |
| Grill with filter mat | | ATV5000 |
| Spare filter mat | | ALFAFT15 |



Specifications, values and drawings are subject to change without notice.



Fan trays 300-450 m³/hr

RACK

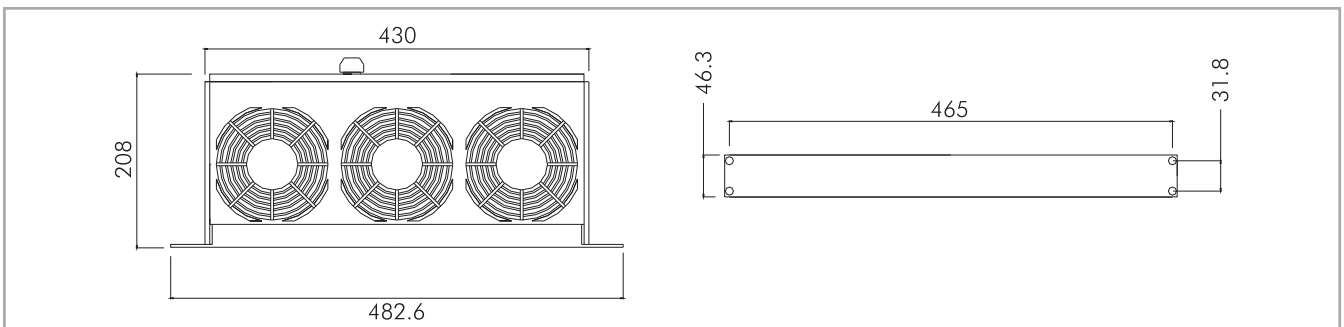
FAN TRAYS FOR 19" ENCLOSURES



| Features | Unit | RACK0222 | RACK0212 | RACK0224 | RACK0248 | RACK0322 | RACK0312 | RACK0324 | RACK0348 |
|---------------------------|-------------------|-------------------------------------|------------|------------|----------|------------|------------|------------|----------|
| Air flow rate (free blow) | m ³ /h | 300(360) | | 300 | | 450(540) | | 450 | |
| Power supply | V/Hz | 230/50-60 | 115/50-60 | 24DC | 48DC | 230/50-60 | 115/50-60 | 24DC | 48DC |
| Dimensions HxWxD | mm | 482x44x208 | | | | | | | |
| Power consumption | W | 36(34) | | 18 | 28 | 54(51) | | 27 | 42 |
| Current consumption | A | 0.26(0.22) | 0.48(0.36) | 0.75 | 0.58 | 0.39(0.33) | 0.72(1.08) | 1.12 | 0.88 |
| Overcurrent protection | - | impedance | | | | | | | |
| Electric connection | - | 3-pole terminal 2.5 mm ² | | | | | | | |
| Duty cycle | - | 100% | | | | | | | |
| Operating temperature | °C (°F) | -10/+70 (+14/+158) | | | | | | | |
| Protection degree/class | - | IP30/Class I | | | | | | | |
| Noise level | dB(A) | 51(52) | | | | | | | |
| Flow direction | - | bottom to top | | | | | | | |
| Bearing | - | ball | | | | | | | |
| Service life (at 40°C) | hr | 50 000 | | | | | | | |
| Material | - | PC-ABS UL94V-0 Color RAL7035 | | | | | | | |
| Weight (with packaging) | kg | 2.10(2.30) | | 1.60(1.80) | | 2.60(2.80) | | 1.85(2.05) | |
| Package dimensions | mm | 510x220x65 | | | | | | | |
| Mounting | - | Screws | | | | | | | |
| Conformity/Certifications | - | CE | | | | | | | |

Accessories

| | | | | | |
|-------------------------------|-----|--|---|------|---|
| Thermostat 0-60°C, NO contact | | | | THV2 | |
| Fan speed controller | FSC | | - | FSC | - |



Specifications, values and drawings are subject to change without notice.



AC/DC FANS



AC FANS

| Code | m ³ /hr | Bearing | Power supply V/Hz | Connection | Dim. mm. |
|---------------|--------------------|---------|-------------------|------------|------------|
| V1081BT230VAC | 160 | ball | 220-240/50-60 | fast-on | 119x119x38 |
| V1081BT115VAC | 160 | ball | 110-120/50-60 | fast-on | 119x119x38 |
| V1081BT24VAC | 160 | ball | 24/50-60 | fast-on | 119x119x38 |
| V1081BT48VAC | 160 | ball | 48/50-60 | fast-on | 119x119x38 |
| V1081ST230VAC | 160 | sleeve | 220-240/50-60 | fast-on | 119x119x38 |
| V1081ST115VAC | 160 | sleeve | 110-120/50-60 | fast-on | 119x119x38 |
| V1081ST24VAC | 160 | sleeve | 24/50-60 | fast-on | 119x119x38 |
| V1081ST48VAC | 160 | sleeve | 48/50-60 | fast-on | 119x119x38 |
| V1087BT230VAC | 190 | ball | 220-240/50-60 | fast-on | 127x127x38 |
| V1087BT115VAC | 190 | ball | 110-120/50-60 | fast-on | 127x127x38 |
| V108XBT230VAC | 105 | ball | 220-240/50-60 | fast-on | 120x120x25 |
| V108XBT115VAC | 105 | ball | 110-120/50-60 | fast-on | 120x120x25 |
| V108JCSW230VA | 65 | sleeve | 220-240/50-60 | wires | 92x92x38 |
| V108JCSW115VA | 65 | sleeve | 110-120/50-60 | wires | 92x92x38 |
| V108JCBT230VA | 65 | ball | 220-240/50-60 | fast-on | 92x92x38 |
| V108JCBT115VA | 65 | ball | 110-120/50-60 | fast-on | 92x92x38 |
| V108BBT230VAC | 50 | ball | 220-240/50-60 | fast-on | 92x92x25 |
| V108BBT115VAC | 50 | ball | 110-120/50-60 | fast-on | 92x92x25 |
| V108BST230VAC | 50 | sleeve | 220-240/50-60 | fast-on | 92x92x25 |
| V108BST115VAC | 50 | sleeve | 110-120/50-60 | fast-on | 92x92x25 |
| V108ABT230VAC | 45 | ball | 220-240/50-60 | fast-on | 80x80x38 |
| V108ABW230VAC | 45 | ball | 220-240/50-60 | wires | 80x80x38 |
| V108ABT115VAC | 45 | ball | 110-120/50-60 | fast-on | 80x80x38 |
| V108AST230VAC | 45 | sleeve | 220-240/50-60 | fast-on | 80x80x38 |
| V108AST115VAC | 45 | sleeve | 110-120/50-60 | fast-on | 80x80x38 |
| V108AXBT230VA | 35 | ball | 220-240/50-60 | fast-on | 80x80x25 |
| V108AXBW230VA | 35 | ball | 220-240/50-60 | wires | 80x80x25 |
| V108AXBT115VA | 35 | ball | 110-120/50-60 | fast-on | 80x80x25 |
| V108AXST230VA | 35 | sleeve | 220-240/50-60 | fast-on | 80x80x25 |
| V108AXST115VA | 35 | sleeve | 110-120/50-60 | fast-on | 80x80x25 |
| V108EXBT230VA | 325 | ball | 220-240/50-60 | fast-on | 172x150x51 |
| V108EXBW230VA | 325 | ball | 220-240/50-60 | wires | 172x150x51 |
| V108EXBT115VA | 325 | sleeve | 110-120/50-60 | fast-on | 172x150x51 |
| V108EXBW115VA | 325 | ball | 110-120/50-60 | wires | 172x150x51 |
| V108EXST230VA | 325 | sleeve | 220-240/50-60 | fast-on | 172x150x51 |
| V108EXST115VA | 325 | ball | 110-120/50-60 | fast-on | 172x150x51 |
| V108EXMBT230V | 340 | ball | 220-240/50-60 | fast-on | 172x150x38 |
| V108EXMBT115V | 340 | ball | 110-120/50-60 | fast-on | 172x150x38 |
| V108CBW230VA | 350 | ball | 220-240/50-60 | wires | 162x150x55 |
| V108CBW115VA | 350 | ball | 110-120/50-60 | wires | 162x150x55 |
| V108KBW230VAC | 600 | ball | 220-240/50 | wires | 220x60 |
| V108KBW115VAC | 600 | ball | 110-120/50 | wires | 220x60 |
| V108HHBT230VA | 800 | ball | 220-240/50-60 | fast-on | 254x89 |
| V108HHBT115VA | 800 | ball | 110-120/50-60 | fast-on | 254x89 |

DC FANS

| Code | m ³ /hr | Bearing | Power supply V/Hz | Connection | Dim. mm. |
|---------------|--------------------|---------|-------------------|------------|------------|
| V108EXBW24VDC | 460 | ball | 24 DC | wires | 172x150x51 |
| V108EXBW48VDC | 460 | ball | 48 DC | wires | 172x150x51 |
| V1087BW24VDC | 240 | ball | 24 DC | wires | 127x127x38 |
| V1087BW48VDC | 240 | ball | 48 DC | wires | 127x127x38 |
| V1081BW12VDC | 180 | ball | 12 DC | wires | 119x119x38 |
| V1081BW24VDC | 180 | ball | 24 DC | wires | 119x119x38 |
| V1081BW48VDC | 180 | ball | 48 DC | wires | 119x119x38 |
| V1081SW12VDC | 180 | sleeve | 12 DC | wires | 119x119x38 |
| V1081SW24VDC | 180 | sleeve | 24 DC | wires | 119x119x38 |
| V1081SW48VDC | 180 | sleeve | 48 DC | wires | 119x119x38 |
| V108MBW12VDC | 150 | ball | 12 DC | wires | 120x120x25 |
| V108MBW24VDC | 150 | ball | 24 DC | wires | 120x120x25 |
| V108MSW12VDC | 150 | sleeve | 12 DC | wires | 120x120x25 |
| V108MSW24VDC | 150 | sleeve | 24 DC | wires | 120x120x25 |
| V108BBW24VDC | 100 | ball | 24 DC | wires | 92x92x25 |
| V108DBW12VDC | 65 | ball | 12 DC | wires | 80x80x25 |
| V108DBW24VDC | 65 | ball | 24 DC | wires | 80x80x25 |
| V108DSW12VDC | 65 | sleeve | 12 DC | wires | 80x80x25 |
| V108DSW24VDC | 65 | sleeve | 24 DC | wires | 80x80x25 |
| V108FSW24VDC | 35 | sleeve | 24 DC | wires | 60x60x25 |
| V108GBW24VDC | 15 | ball | 24 DC | wires | 40x40x20 |



ALFAKF

COMPACT FILTER UNITS

Suitable for direct screw mounting on axial fans. They can also be mounted with the fan inside the enclosure.

The mounting holes have diameter $\varnothing 6.0-6.5$ mm. The material is black ABS, self-extinguishing, according to UL94 V-O.

| Code | Description | Dim. mm. | Pcs in 1 pack |
|-----------|---------------------|----------|---------------|
| ALFAKF060 | Compact filter unit | 60x60 | 1 |
| ALFAKF080 | Compact filter unit | 80x80 | 1 |
| ALFAKF092 | Compact filter unit | 92x92 | 1 |
| ALFAKF120 | Compact filter unit | 120x120 | 1 |
| ALFAKF150 | Compact filter unit | 150x150 | 1 |



ALFAKR120

COMPACT FILTER UNITS - HIGH PERFORMANCE

Compact filter unit with reduced pressure drop. Filter media, steel or acrylic, is easy accessible and cleanable. Available in three versions:

| Code | Description | Dim. mm. | Pcs in 1 pack |
|-------------|--|------------|---------------|
| ALFAKR120 | Compact filter unit w/ standard filter mat | 125x125x10 | 20 |
| ALFAKR120R | Compact filter unit w/metallic filter mesh | 125x125x10 | 20 |
| ALFAKR120RF | Compact filter unit w/standard filter mat and metallic filter mesh | 125x125x10 | 20 |



SPINOTTO

FAN POWER CORDS

Suitable to all fast-on connection fans. Black cable with injection moulded straight plug for 2,8x0,5 mm pins.

| Code | Description | Pcs in 1 pack |
|---------------|------------------------------|---------------|
| SPINOTTOA2-06 | Straight power cord 600 mm. | 1 |
| SPINOTTOA2-10 | Straight power cord 1000 mm. | 1 |
| SPINOTTOA2-20 | Straight power cord 2000 mm. | 1 |



Specifications, values and drawings are subject to change without notice.



ATVF - ALFAF

Spare filter mats for filter fans

Standard filter mats for filter fans and filter only units. To keep high performance it is necessary to periodically check the level of filter mat clogging and, if necessary, replace it with a new one. These filters are made of self-extinguishing synthetic fibres with a progressive filtering capacity.

| Code | Description | Pcs in 1 pack |
|-------|---------------------|---------------|
| ATVF1 | Filter mat for ATV1 | 10 |
| ATVF2 | Filter mat for ATV2 | 10 |
| ATVF3 | Filter mat for ATV3 | 10 |
| ATVF4 | Filter mat for ATV4 | 10 |
| ATVF5 | Filter mat for ATV5 | 10 |



| Code | Description | Pcs in 1 pack |
|----------|----------------------------|---------------|
| ALFABPA0 | Filter mat for ALFAA000BPB | 10 |
| ALFABP10 | Filter mat for ALFA1000BPB | 10 |
| ALFABP20 | Filter mat for ALFA2000BPB | 10 |
| ALFABP30 | Filter mat for ALFA3000BPB | 10 |

High efficiency spare filter mats for filter fans

High efficiency filter mats are used in is very fine dust environments. However, air flow rates is substantially reduced and should be accounted for when selecting the filter fan.

| Code | Description | Pcs in 1 pack |
|--------|--------------------------------------|---------------|
| ATVF1X | Filter mat for ATV1, high efficiency | 10 |
| ATVF2X | Filter mat for ATV2, high efficiency | 10 |
| ATVF3X | Filter mat for ATV3, high efficiency | 10 |
| ATVF4X | Filter mat for ATV4, high efficiency | 10 |
| ATVF5X | Filter mat for ATV5, high efficiency | 10 |

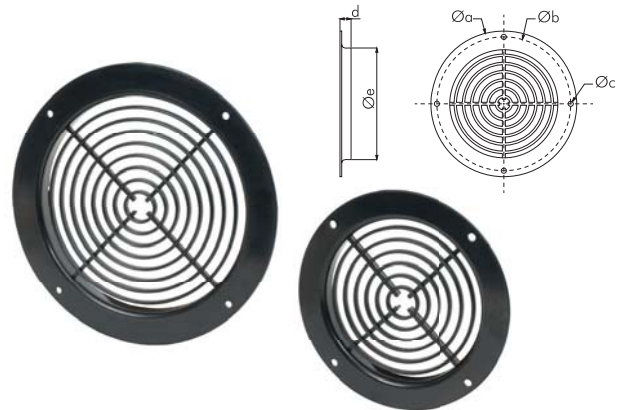
| Code | Description | Pcs in 1 pack |
|----------|------------------------------------|---------------|
| ALFAFT10 | Filter mat for ALFATORR0600B-1010B | 5 |
| ALFAFT15 | Filter mat for ALFATORR1450B-1451B | 5 |

| Code | Description | Pcs in 1 pack |
|-----------|---|---------------|
| ALFABPAOX | Filter mat for ALFAA000BPB, high efficiency | 10 |
| ALFABP1OX | Filter mat for ALFA1000BPB, high efficiency | 10 |
| ALFABPBOX | Filter mat for ALFA000BPB, high efficiency | 10 |
| ALFABP2OX | Filter mat for ALFA2000BPB, high efficiency | 10 |
| ALFABP3OX | Filter mat for ALFA3000BPB, high efficiency | 10 |

GRV190/GRV250

Grilled shroud for radial fans. They allow safe operation and increased air flow rate on radial fans.

| Features | Unit | GRV190 | GRV250 |
|----------|------|--------|--------|
| a | mm | 170 | 214 |
| b | mm | 156 | 196 |
| c | mm | 5.8 | 5 |
| d | mm | 13 | 15 |
| e | mm | 130 | 166 |

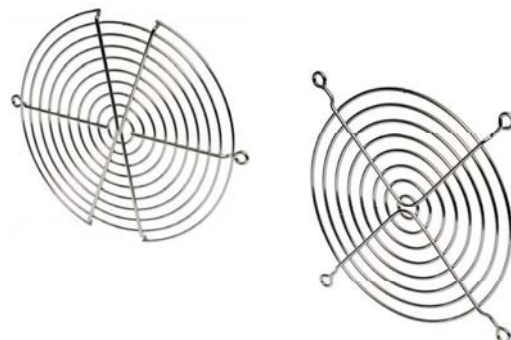


ALFAGM

METALLIC PROTECTION GRILLS

Finger guard metallic protection grills for axial fans. Range Ø 40-254 mm. Complying with international safety norms.

| Code | Description | Dim. mm. | Pcs in 1 pack |
|-----------|----------------------------------|----------|---------------|
| ALFAGM040 | Metallic finger protection grill | Ø 40 | 100 |
| ALFAGM060 | Metallic finger protection grill | Ø 60 | 100 |
| ALFAGM080 | Metallic finger protection grill | Ø 80 | 100 |
| ALFAGM092 | Metallic finger protection grill | Ø 92 | 100 |
| ALFAGM120 | Metallic finger protection grill | Ø 120 | 100 |
| ALFAGM127 | Metallic finger protection grill | Ø 127 | 100 |
| ALFAGM150 | Metallic finger protection grill | Ø 150 | 100 |
| ALFAGM220 | Metallic finger protection grill | Ø 220 | 100 |
| ALFAGM254 | Metallic finger protection grill | Ø 254 | 100 |



Specifications, values and drawings are subject to change without notice.

AELCATEM-18.00

